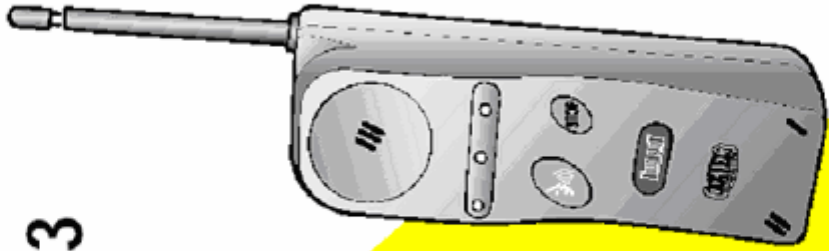
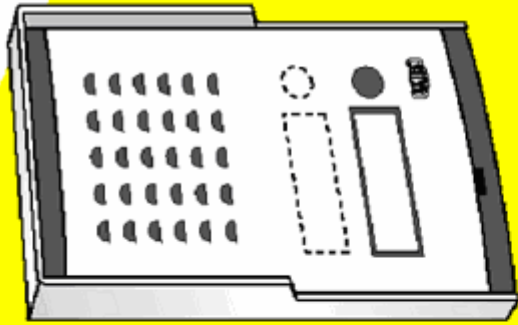


CE 0681①

Wireless doorphone ITCAR1000B3



Instructions technical
manual

Your wireless doorphone is composed of 2 units :

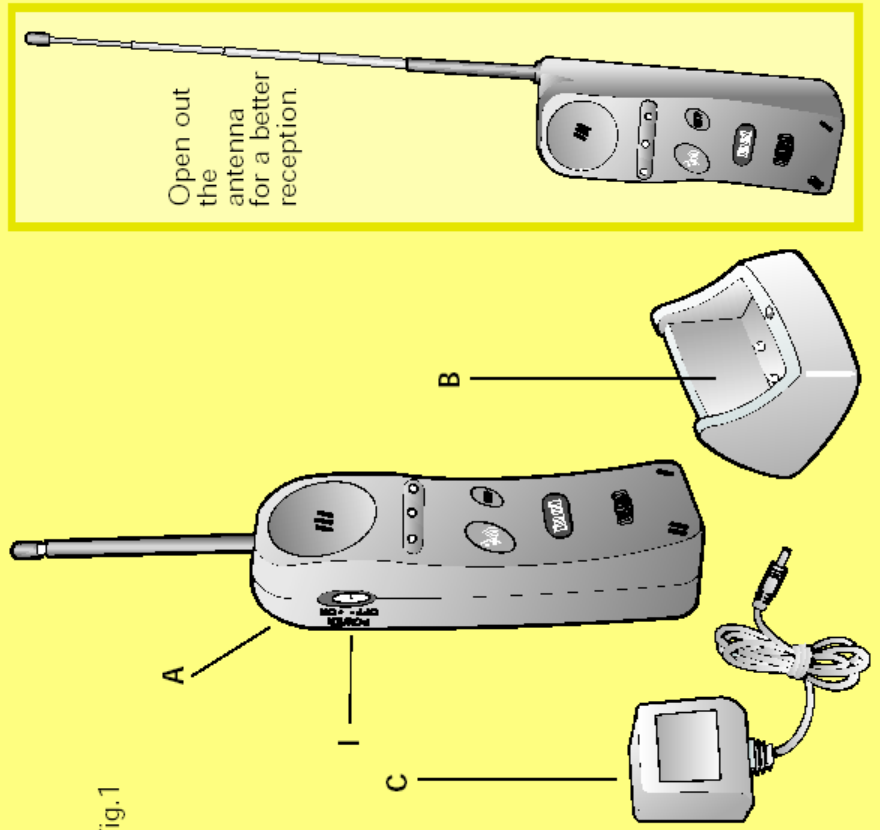
- a stationary unit (outdoor station and control board)
- a mobile unit (handset, charging cradle and adaptor)

INSTALLATION

■ THE MOBILE UNIT of your wireless doorphone is composed of :

- One mobile handset with battery (A)
- One charging cradle for battery (B)
- One mains adaptor (C) to be connected to the cradle. The handset doesn't require any particular installation. You just have to put the lateral switch (I) on position ON, put the handset on the charging cradle and let it charge for about 10 hours, in order to ensure a complete charge of the battery.

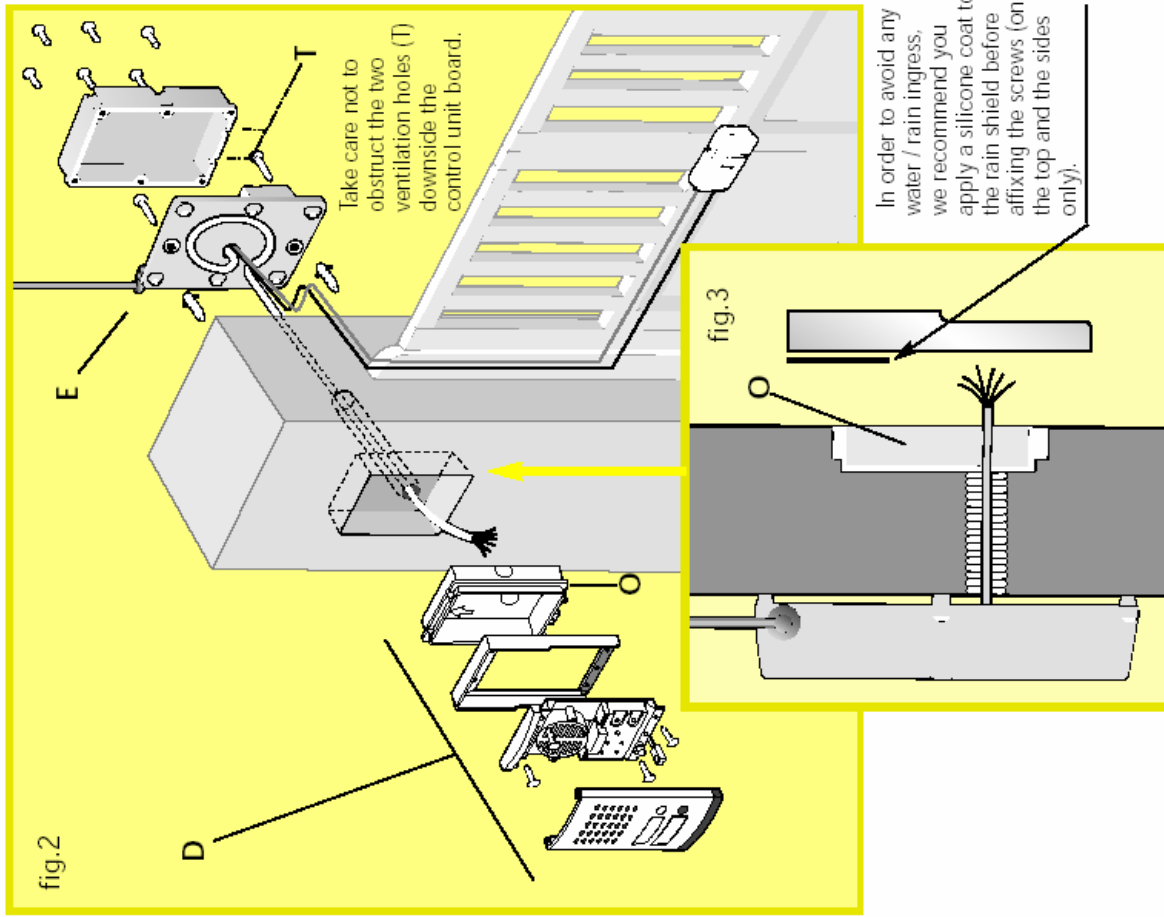
fig.1



2 GB

■ **THE STATIONARY UNIT (outside) of your wireless doorphone is composed of :**

- One outdoorstation (D) with a rainshield, a call button and an embedding box
- One control board (E) which contains the radio transmitter and receiver, and also batteries (not supplied)



■ **The control unit board**

It must be installed **first**, and follow up the instructions :

- 1 cable 6 conductors and two wires are coming out from the control unit board. The cable is to connect with the outdoorstation through the hole in the pillar (**therefore you have to drill the pillar or the wall**). The two other wires (F) (one red and one black) are used for electric lock or staple connection.

Important : remove the protective device (V) on red wire only at the end of the operations (when connection done with electric lock or staple)

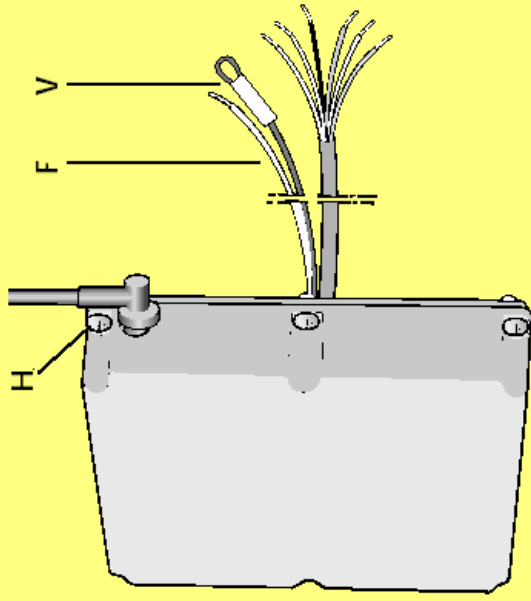
- once board installed, the antenna must be as far as possible from any metallic surface, far from any interference or obstacle. Pay attention that the antenna has **no contact with leaves or branches**. It also must be placed high enough (about 1.60 meters from ground), and in vertical position in order to obtain best results.

Once the situation decided :

1. unscrew the 6 sided special screws (H) and remove the upper casing (fig. 5)
- Attention :** don't touch directly the electronic circuit (see chapter : **Important – page 10**) and **don't remove the red wire protective device (V)**
2. Fix the bottom with the screws in the two holes (J) situated upside and downside (fig. 6), the antenna must be **upside right**.
3. Don't forget to pass the connecting cable to the outdoorstation through the hole in the pillar or in the wall.

Never set up another antenna than the original one or the 68 cm one proposed as an optional.

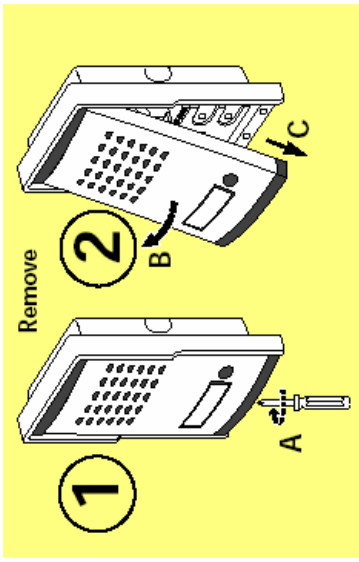
Never put the batteries before installation completely finished



■ The outdoorstation

Notice : it is better to have sheathed cables for the outdoorstation and for the electric staple) : shock-proof and water-proof. **Don't cut off the extra cable** in order to prevent from oxidation or from wrong contacts. It is better to roll it up between the pillar and the control unit board. (fig. 2, page 3).

1. Unscrew the 6 sided special screw (A). **2.** Lift up the outdoorstation (B) frontside and remove downside (C). **3.** Unscrew the four 6 sided special screws (M) which hold the rainshield and the embedding box.



4• Seal the embedding box (O) flush the wall, in order the hole in the pillar for the cable comes just in front of the pierced hole situated on the bottom of the embedding box. Then push it to open. Be aware to not obstruct the holes intended for mounting screws (N)

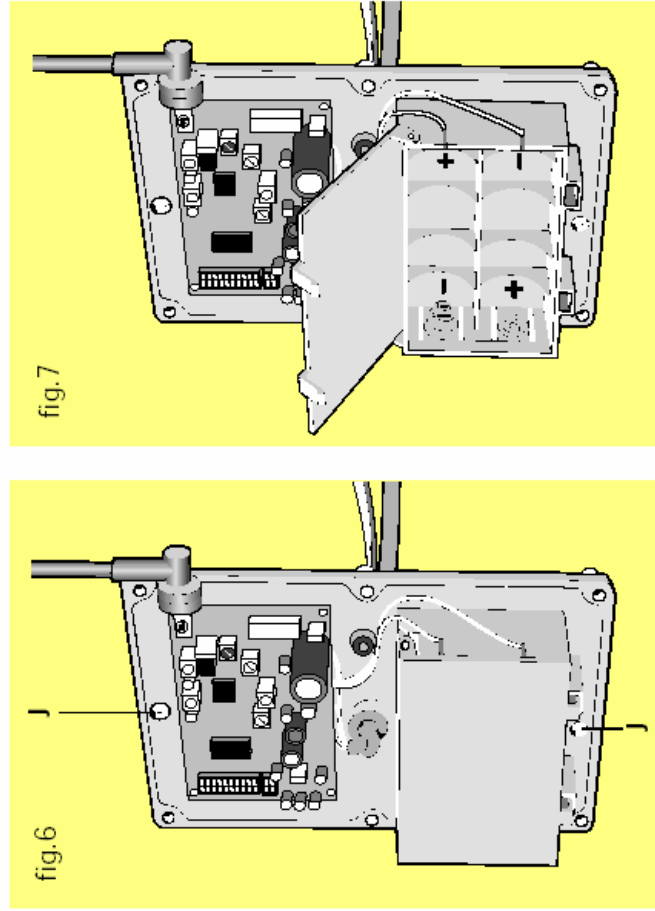
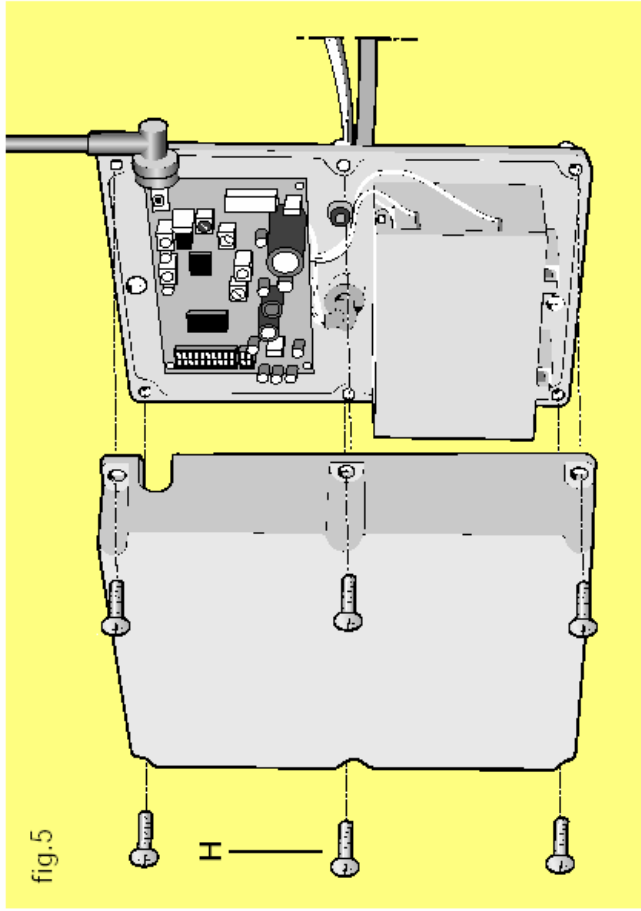
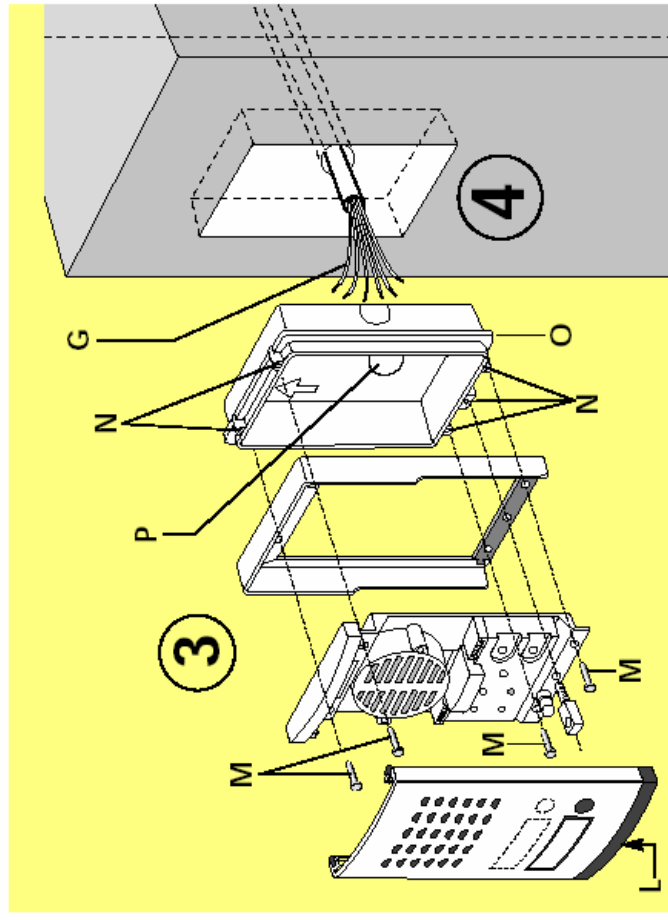


fig.5

fig.6

fig.7

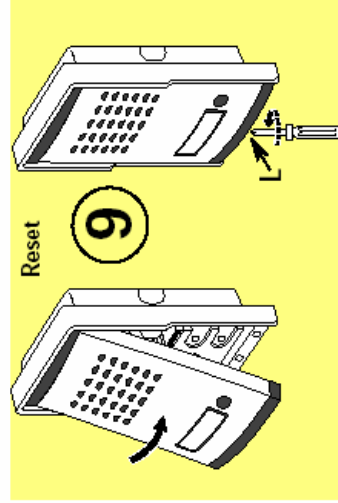
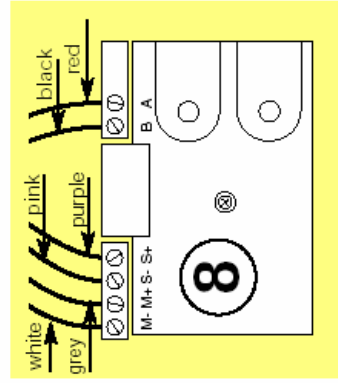
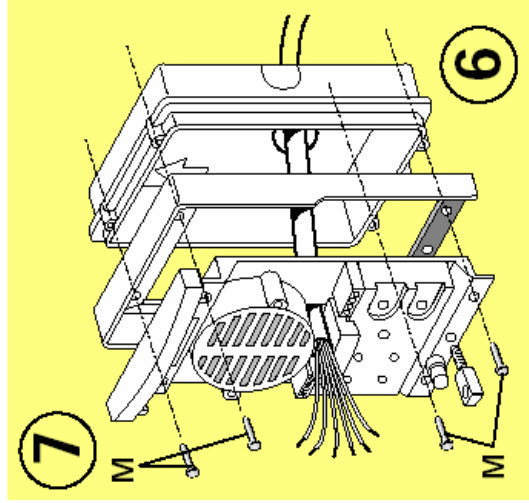
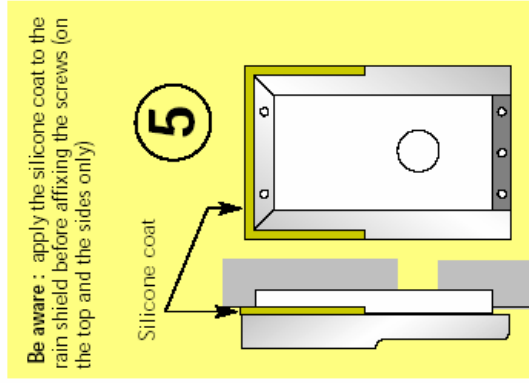
5 • In order to avoid any water / rain ingress, we recommend you apply a silicone coat to the backside rainshield before affixing to the wall.

6. Let the cables go through the holes.

7. When cement is dry, screw the four 6 sided special screws (M)

8. Connect the 6 wires (G) in the cable coming from the control unit board

9. Refix the outdoorstation front panel, and screw again the screw (L).



In order to settle the outside installation, open the battery cover and insert 4 alkaline batteries 1.5 V – LR 20 type in the control unit board. **Respect the polarity** (fig. 7, page 5). Close back the battery cover and set up again the front panel of the control unit board with the 6 sided special screws (H). Pay attention to not damage the silicone coat. **Don't obstruct the 2 special holes (I)** downside the control unit board (fig. 2, page 3). You can use the voltage converter : as outlet is stabilized at 6 V with 200 mA, you can activate your automatic gate opener system (page 15).

FUNCTIONING

When not used, your handset must be in charge on charging cradle, with antenna opened out, and with lateral switch **ON**.

When a visitor calls, your handset rings for about 40 seconds. Simultaneously, the outdoorstation also rings in order to confirm that the call has reached the handset (even though it is OFF). After these 40 seconds, it stops and it comes back to standby mode. During a call, you can speak when pushing the key "answer" :

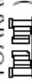
The green LED is on during all communication period.

Communication is scheduled for 60 seconds. But it can be reported for 60 seconds more when pushing again the key "answer" :

You will hear a BIP on the handset 20 seconds before the end of the 60 seconds period in order to let you have time enough to push again on the key "answer" if necessary. But you can also stop by pushing the "stop" button. If you don't push the key "answer", the communication will automatically stop.

If you let the handset on the charging cradle without stopping communication, the handset will ring 3 times. Please push "STOP" button in order the sound inside is not transmitted to the outdoorstation. In case communication drops, press for 2 seconds on "STOP" button in order to stop the transmission of the handset, or stop and reset the handset with the lateral switch in order your visitor can call you back again.

■ installation with an electric staple or door lock :

The door can be opened only during a communication (but in case you add the converter ITCARAL1224 it can be opened at any time : you only have to push the button )

Take care : pushing the button for opening the door stops the communication and you can hear a note on the outdoorstation.

Note : electric staple or doorlock must imperatively have a manual locking latch.

■ installation with an automatic gate opener system :

If you use the converter ITCARAL1224, it is possible to activate an automatic gate opener system with a dry contact (24 V – 0,5 A), while pushing at least 2 seconds on button  .

It is possible to open or close the gate at any time (page 15)

Reminder :

A call can be received only if the lateral switch (I) is ON and if battery is charged (see chapter Coding and Frequencies). In case the lateral switch (I) is OFF, the handset won't ring, but the visitor will hear the note as usually for 40 seconds on the outdoorstation. After that, the control unit board automatically comes back to standby mode. The range covers 500 meters. But it can be reduced according to the surroundings (radio interferences or others ...).

CODING AND FREQUENCY CHANGE ON SET ITCAR1000B3 with 2 push buttons outdoorstation optional ITCAR1020 and one additional handset ITCAR1010B3

■ **2 push buttons outdoorstation** : change the ITCAR1000B3 outdoorstation front panel with the ITCAR1020 – connections are unchanged.

■ **CODING** : all sets have their own coding system (dip switch). Codes are settled in manufacture both for control unit board and handset. In case your neighbour has got same codes (if you received untimely calls), you can change yours as follow :

1. Handset (fig. 12) :

- **Handset A** : unscrew the screw (R) downside the cover between charging contacts and remove the backside cover. **Withdraw and disconnect the battery (S)**. Change the position of one of the dip switch 9 mini jumpers (use a fine point in order to move). **Never move the position of mini-jumper number 10 (fig. 12) (OFF position)**
 - **Handset B** : unscrew the screw (R) downside the cover between charging contacts and remove the backside cover. **Withdraw and disconnect the battery (S)**. Change the position of one of the dip switch 9 mini jumpers (use a fine point in order to move). **Mini-jumper number 10 : position ON**
- 2. Electronic control unit board (fig. 13) :** unscrew the 6 sided special screws and remove the cover. **Withdraw the 4 batteries**. Change the position of the dip-switch mini jumpers which must be the same as the one in the handset. **Never move the position of mini-jumper number 10 (fig. 12) (OFF position)**.

■ **FREQUENCY** : A frequency has been settled up in manufacture.

Sometimes, in exceptional special cases, it may be disturbed (near a television, a computer, a remote control ...). In such a case, you can change the original frequency on same way both on handset and control unit board. The 2 mini inverters to change are located on left side of handset and control unit board dip switch.

You can adjust **code and frequency** :

- on control unit board : unscrew the 6 screws and remove the cover

- on handset : unscrew the inferior backside screw and remove the backside cover

Follow up the indications on above table. You can select 4 different position possibilities for having 3 different frequencies :

| | Frequency 1 | Frequency 2 | Frequency 3 |
|--------------------|-------------|-------------|-------------|
| Control unit board | ON | ON | ON |
| Handset | ON | ON | ON |

Important : All electronic components are sensitive to human electrostatic shocks. Therefore, before any intervention, you **have to discharge** your static electricity (for instance : touch one of the 2 battery contacts, red or black wire). Then you can remove the batteries from the control unit board and from the handset. After modification of the **code or frequencies**, reconnect the handset battery and be sure that switch 1 is ON. **In case any damage due to non respect of this warning, warranty won't be involved.**

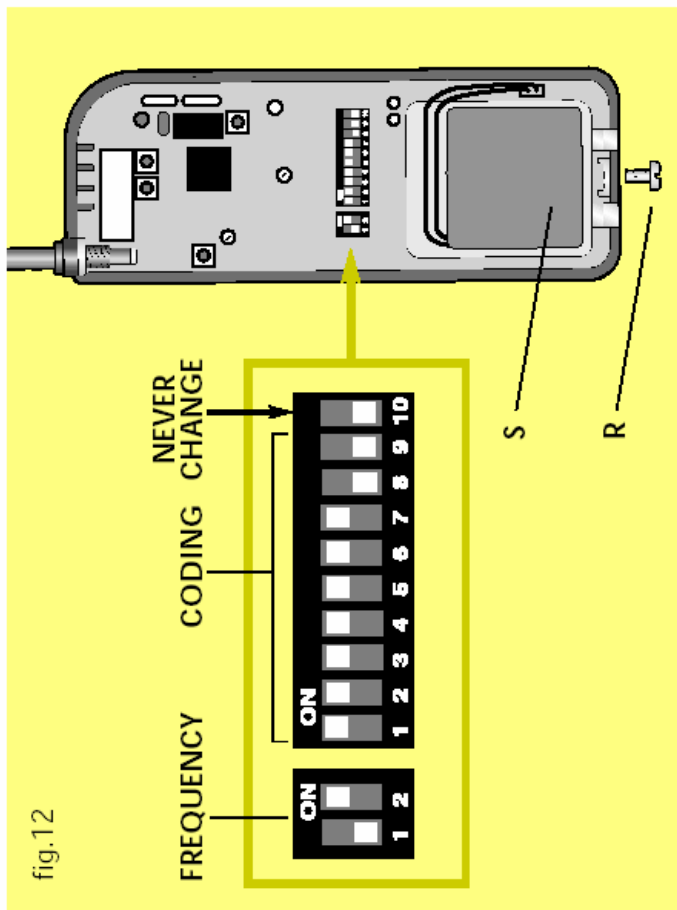


fig.12

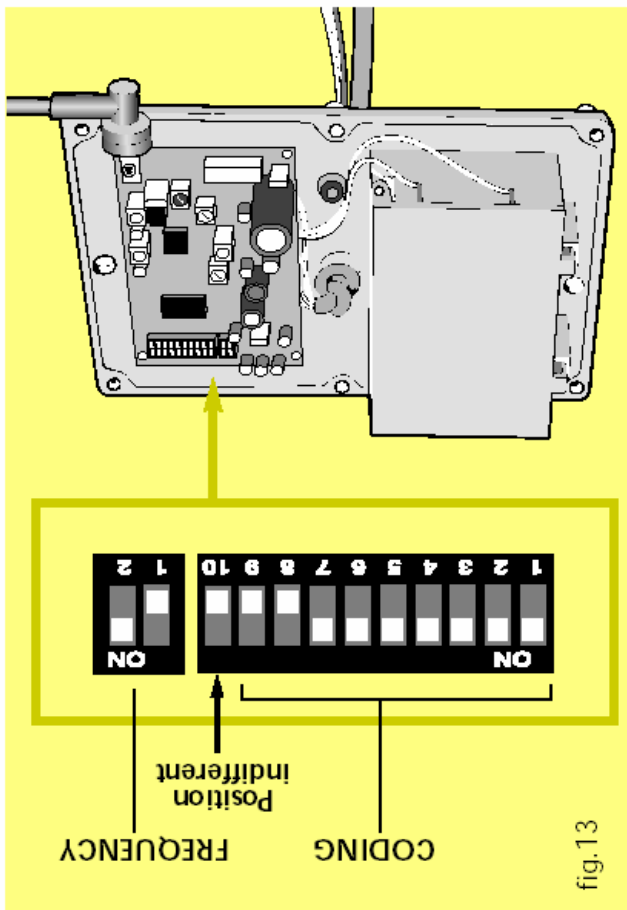
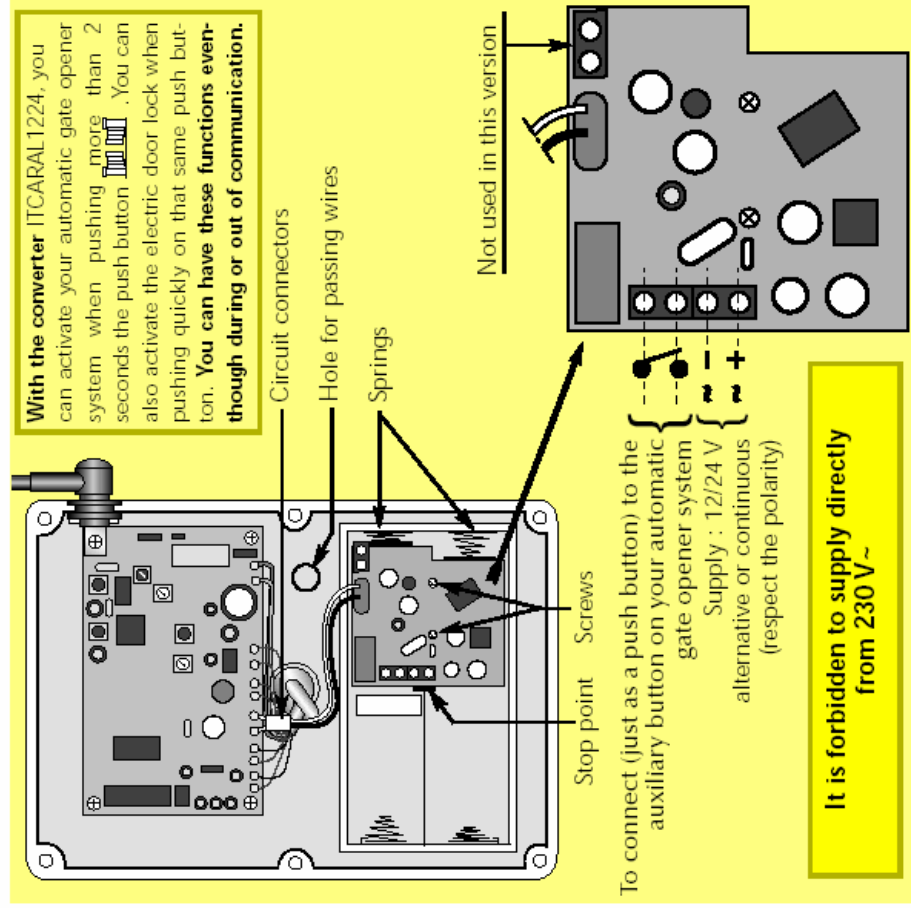


fig.13

■ **CONVERTER ITCARAL1224** to substitute the 4 control unit batteries ; it activates the automatic gate opener system or the electric door lock at any time.

1. Withdraw the batteries
2. Remove the cover of battery casing
3. Fix the printed circuit :
 - a) Tilt the circuit
 - b) Stick it up between stop point and springs
 - c) Screw the circuit on basis with the 2 relative supplied screws
4. Fix the connector on the printed circuit
5. Connect the wires from the transformer or the automatic gate opener system through the relative hole designed at that purpose according to the used wire.
6. Don't set back the batteries cover.



OPTIONALS

- 2nd handset with charging cradle and adaptor. Setting up and functions are same as for original set. Just be aware that only one handset can have the call (the quickest one to answer) and that there is no intercommunication between the handsets ITCAR1010B3.
- Antenna : 68 cm. (Ref. ICAR1068) ; if necessary
- Surface mounting box , ref. BS 30
- All electric staples or door locks. ref. MULTIPLA
- Converter 12 / 24 V~ or : also activates automatic gate opener system ITCARAL1224.
- Outdoorstation front panel with 2 push buttons ITCAR1020

