





OPERATORI / OPERATORS

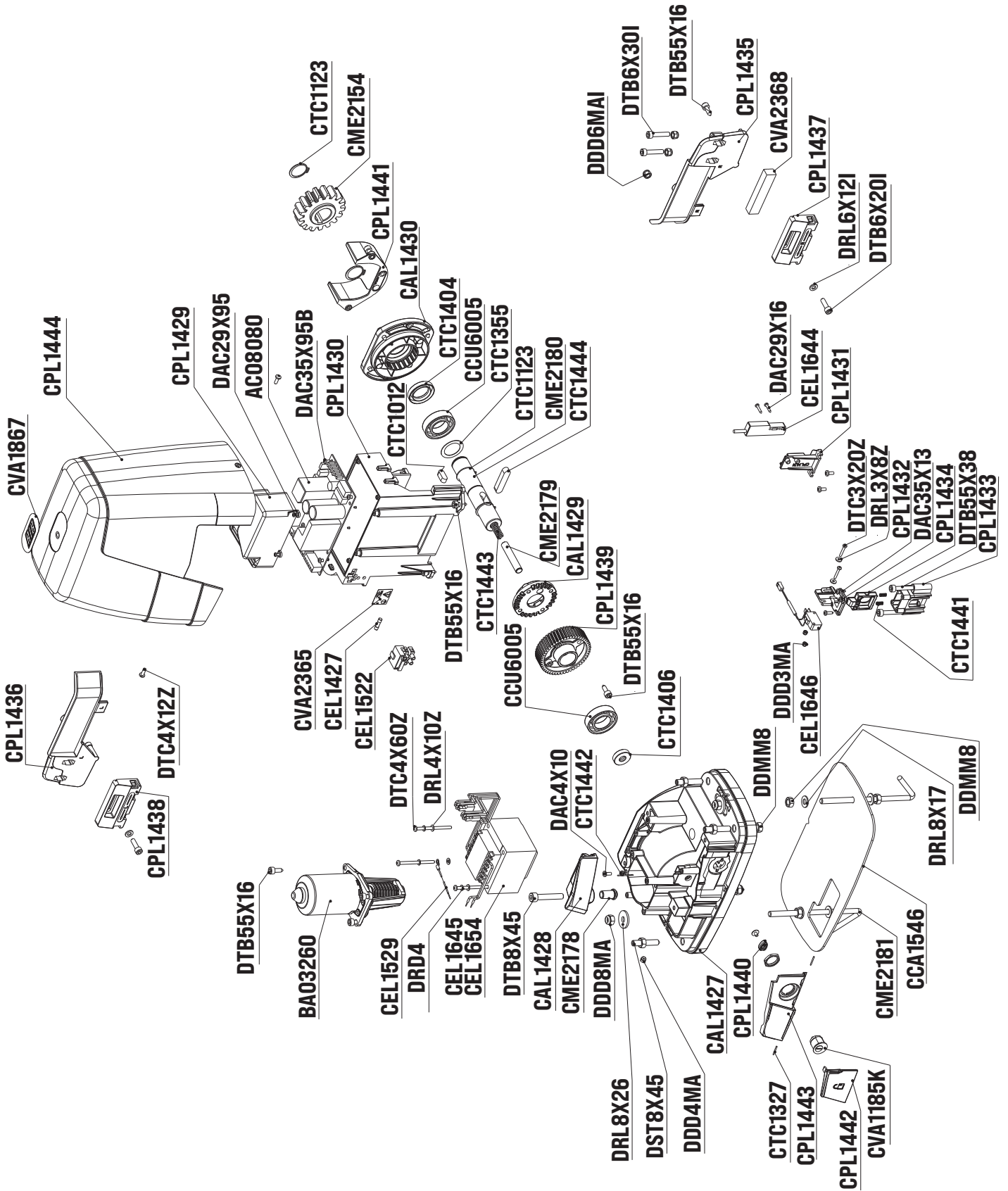
| | |
|--|----|
| K400 | 4 |
| K500 | 6 |
| K800 - K1400 - K2200 | 7 |
| K800 24V FAST | 8 |
| SUPER 2200 | 9 |
| SUPER 3000 FAST | 10 |
| SUPER 3600 | 11 |
| SUPER 4000 | 12 |
| SUPER 6000 | 13 |
| SUPER 8000 FAST | 14 |
| PRINCE 24V | 16 |
| KING EVO - KING EVO ICE | 17 |
| KING EVO L - KING EVO L ICE | 18 |
| KING EVO 24V | 19 |
| KING EVO L 24V | 20 |
| PREMIER 24V | 21 |
| MAGIC REV 105° | 22 |
| MAGIC REV 180° | 23 |
| DUKE 110° | 24 |
| DUKE 180° | 25 |
| DUKE 24V 110° | 26 |
| DUKE 24V 180° | 27 |
| IDRO C 27/1B - IDRO C 27/2B - IDRO C 27/R | 28 |
| IDRO DUE 27/R - IDRO DUE 27/1B | 29 |
| IDRO DUE 27 SUPER/R - IDRO DUE 27 SUPER/1B | 30 |
| IDRO 39/R | 31 |
| IDRO 39/1B - IDRO 39/2B | 32 |
| R 50 | 33 |
| R 60 | 34 |
| PRESIDENT 3 m | 36 |
| PRESIDENT 4 m | 37 |
| RAPID S | 38 |
| RAPID N | 39 |
| NORMAL | 40 |
| INDUSTRIAL | 41 |
| JOLLY 20 - 22 - 22 SUPER - 24 | 43 |
| JOLLY ONE FIN AUT | 44 |

| | |
|-------------------|----|
| JOLLY ONE FIN MEC | 45 |
| JOLLY BIG FIN AUT | 46 |
| JOLLY BIG FIN MEC | 47 |
| BOSS 24V MASTER | 48 |
| BOSS 24V SLAVE | 49 |
| BOSS 230V MASTER | 50 |
| BOSS 230V SLAVE | 51 |
| BOY | 52 |

ACCESSORI

ACCESSORIES

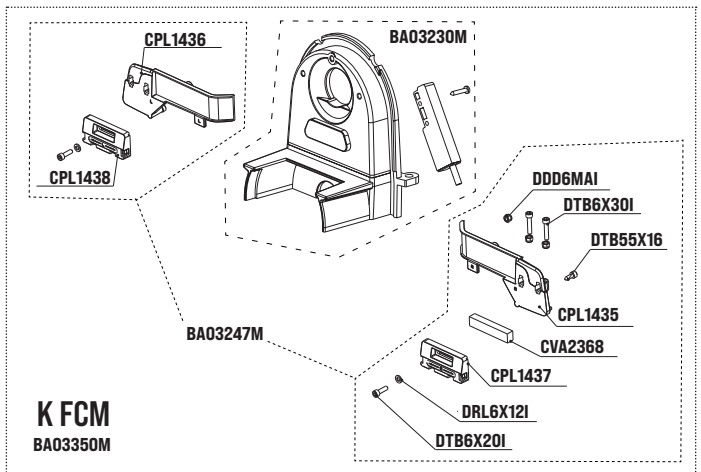
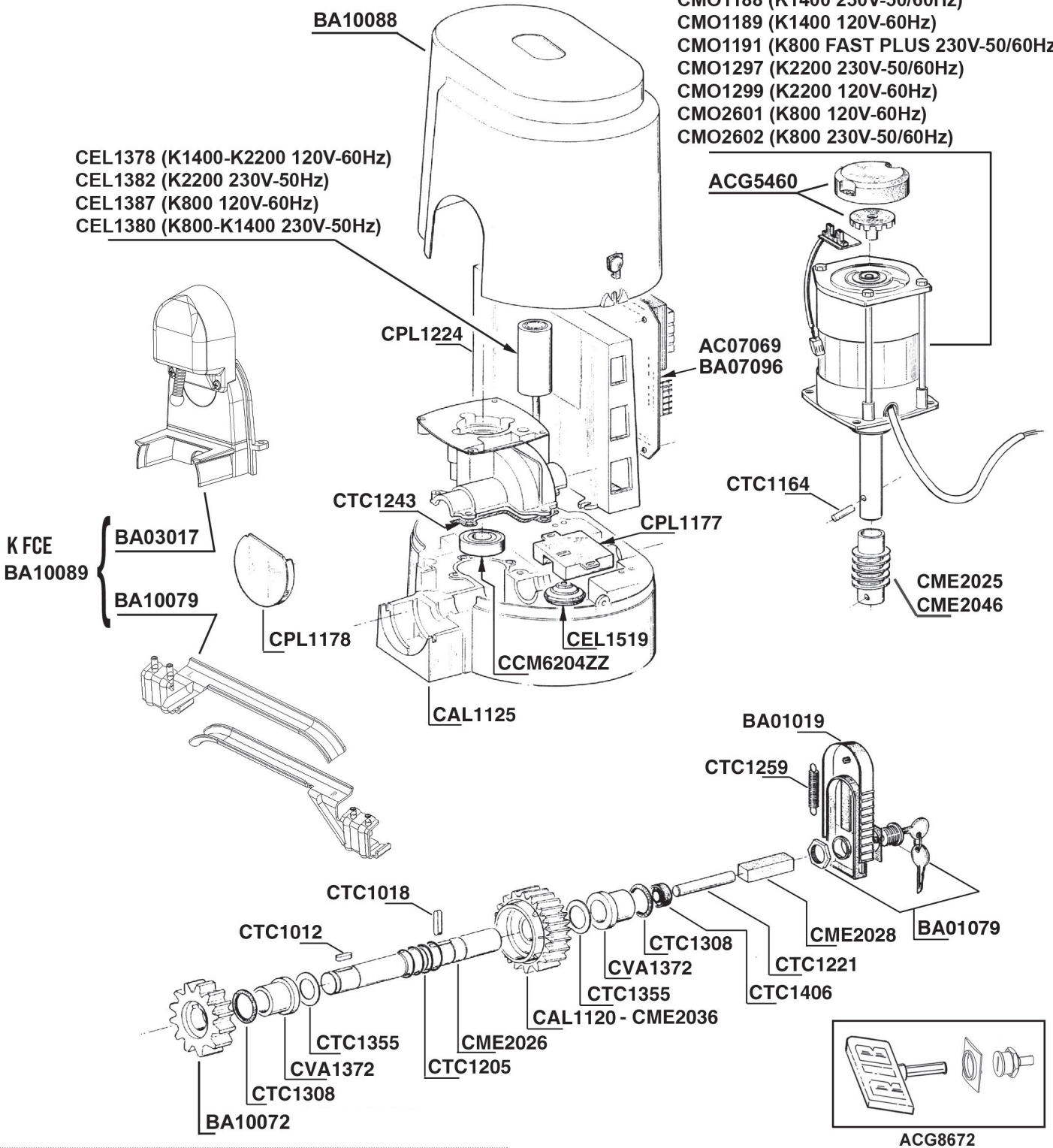
| | | |
|-----------------------------|-------------------------------|----|
| RASTRELLIERE | HANGING RACKS | 53 |
| ASTE SNODATE | ARTICULATED ARMS | 54 |
| PALETTO PENDULO TELESCOPICO | TELESCOPIC HANGING SUPPORT | 55 |
| COLONNINE CON MAGNETE | COLUMNS WITH ELECTROMAGNET | 56 |
| CASSAFORTI | STRONG BOXES | 57 |
| PULSANTIERE | PUSH BUTTONS | 58 |
| SELETTORI A CHIAVE | KEY SELECTORS | 59 |
| FOTOCELLULE | PHOTOCELLS | 60 |
| LAMPEGGIATORI | BLINKERS | 64 |
| COSTE MECCANICHE | MECHANICAL STRIPS | 65 |
| CONTENITORI QUADRI | BOXES FOR CONTROL BOARD CARDS | 66 |



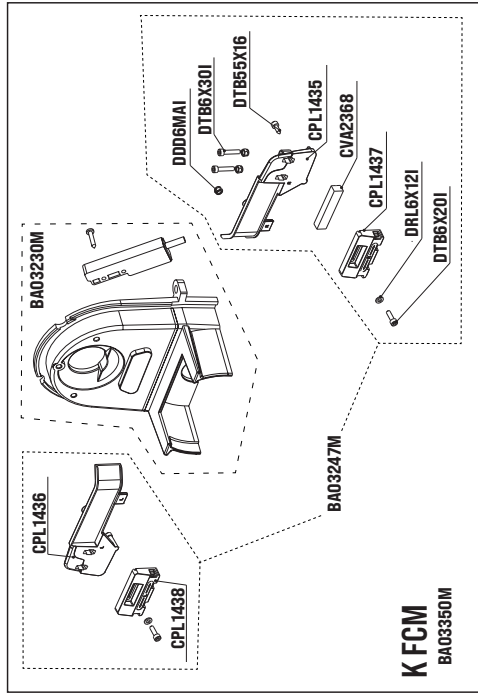
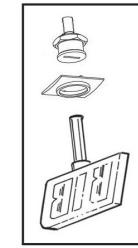
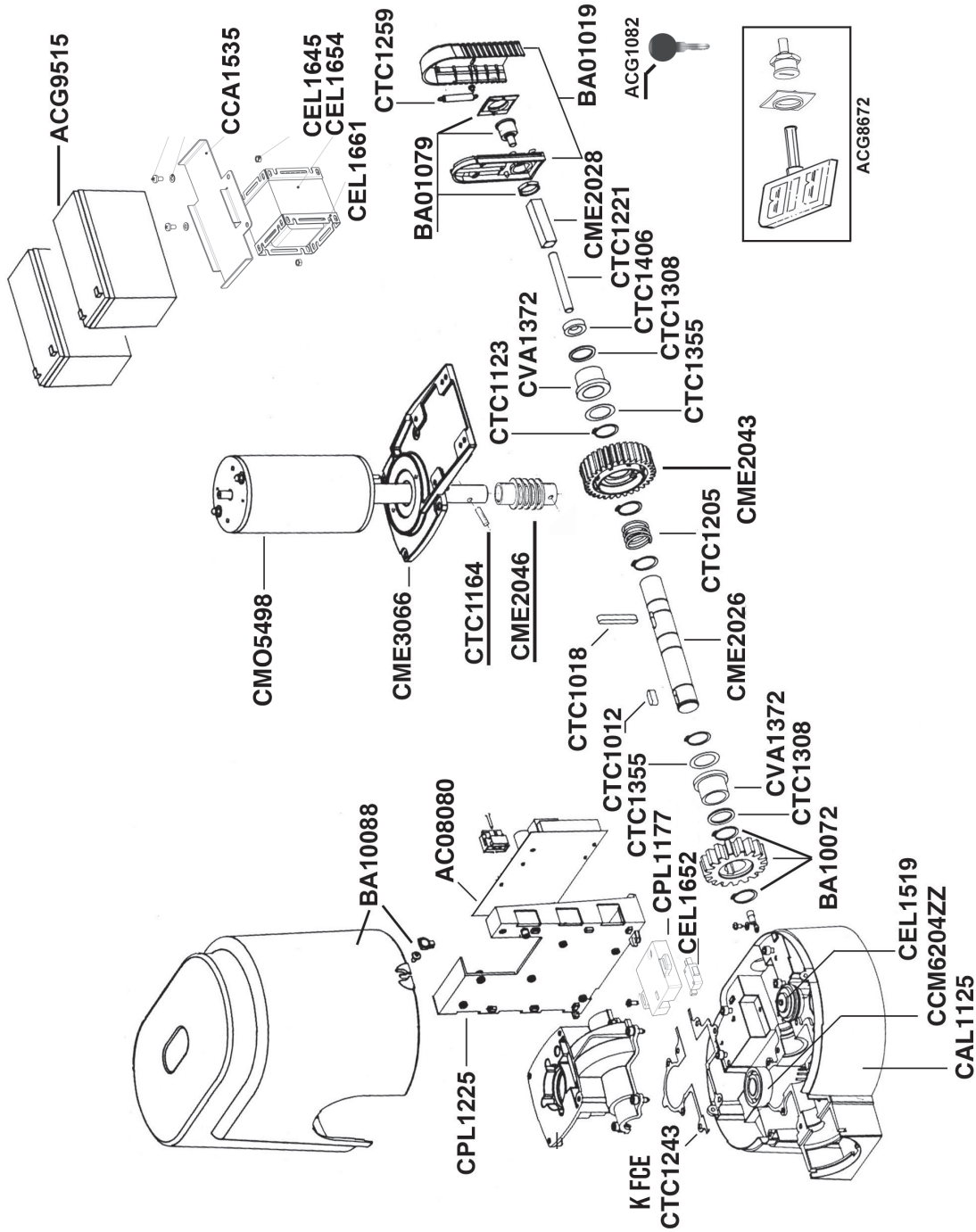
K800 - K800 FAST - K1400 - K2200 FCE-FCM

- CMO1188 (K1400 230V-50/60Hz)
- CMO1189 (K1400 120V-60Hz)
- CMO1191 (K800 FAST PLUS 230V-50/60Hz)
- CMO1297 (K2200 230V-50/60Hz)
- CMO1299 (K2200 120V-60Hz)
- CMO2601 (K800 120V-60Hz)
- CMO2602 (K800 230V-50/60Hz)

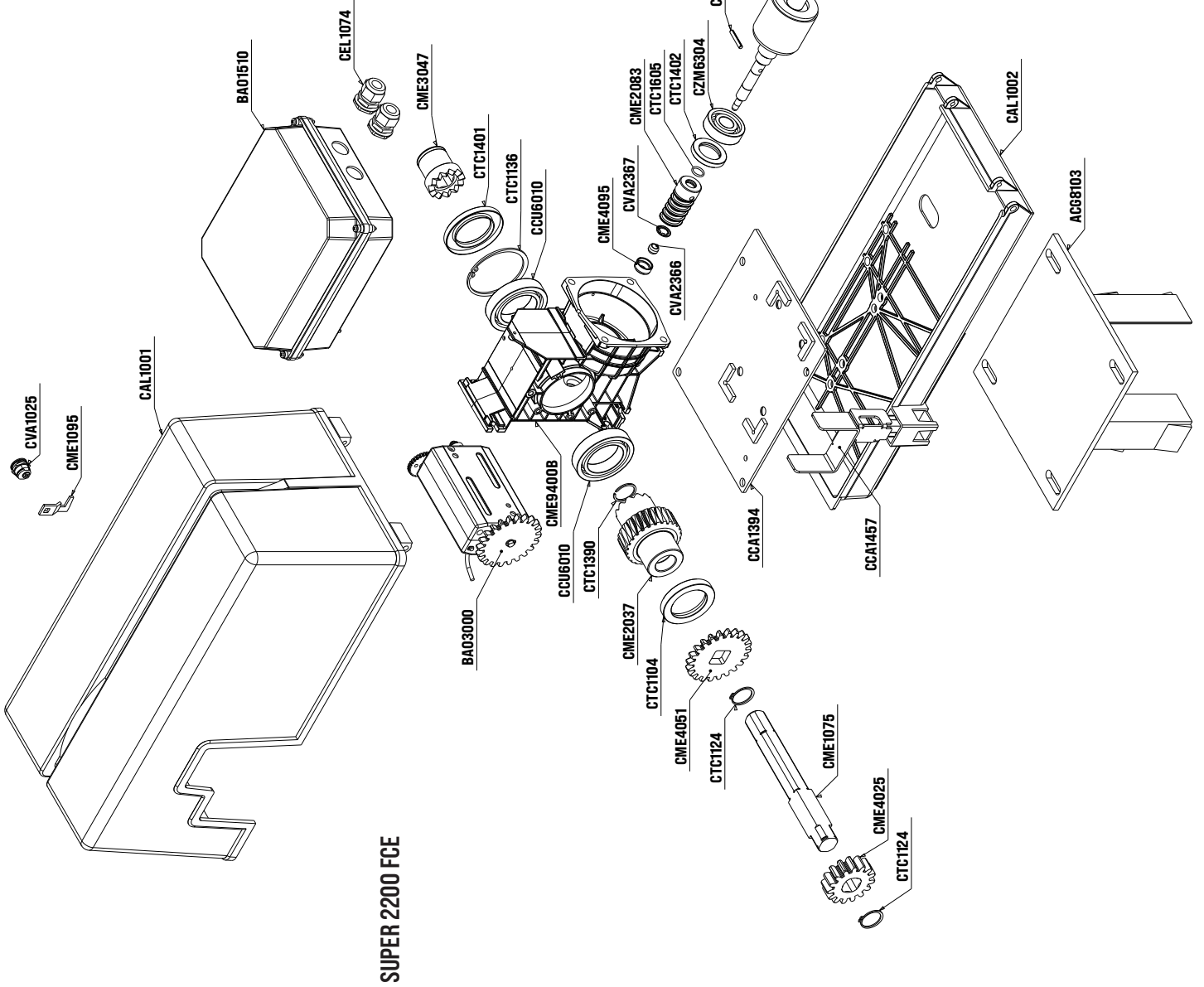
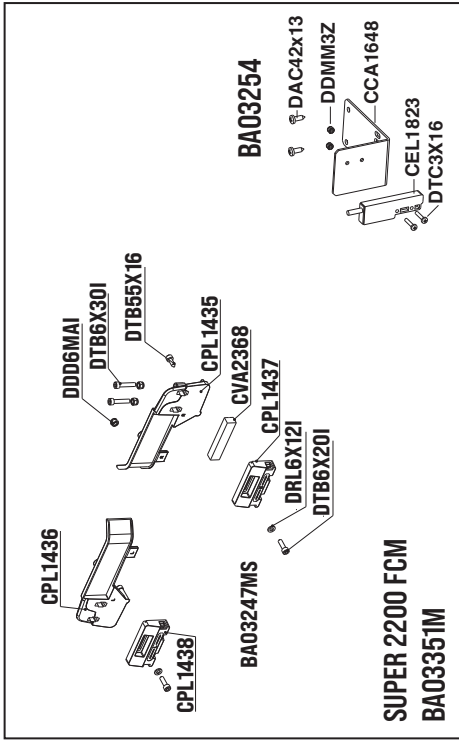
- CEL1378 (K1400-K2200 120V-60Hz)
- CEL1382 (K2200 230V-50Hz)
- CEL1387 (K800 120V-60Hz)
- CEL1380 (K800-K1400 230V-50Hz)



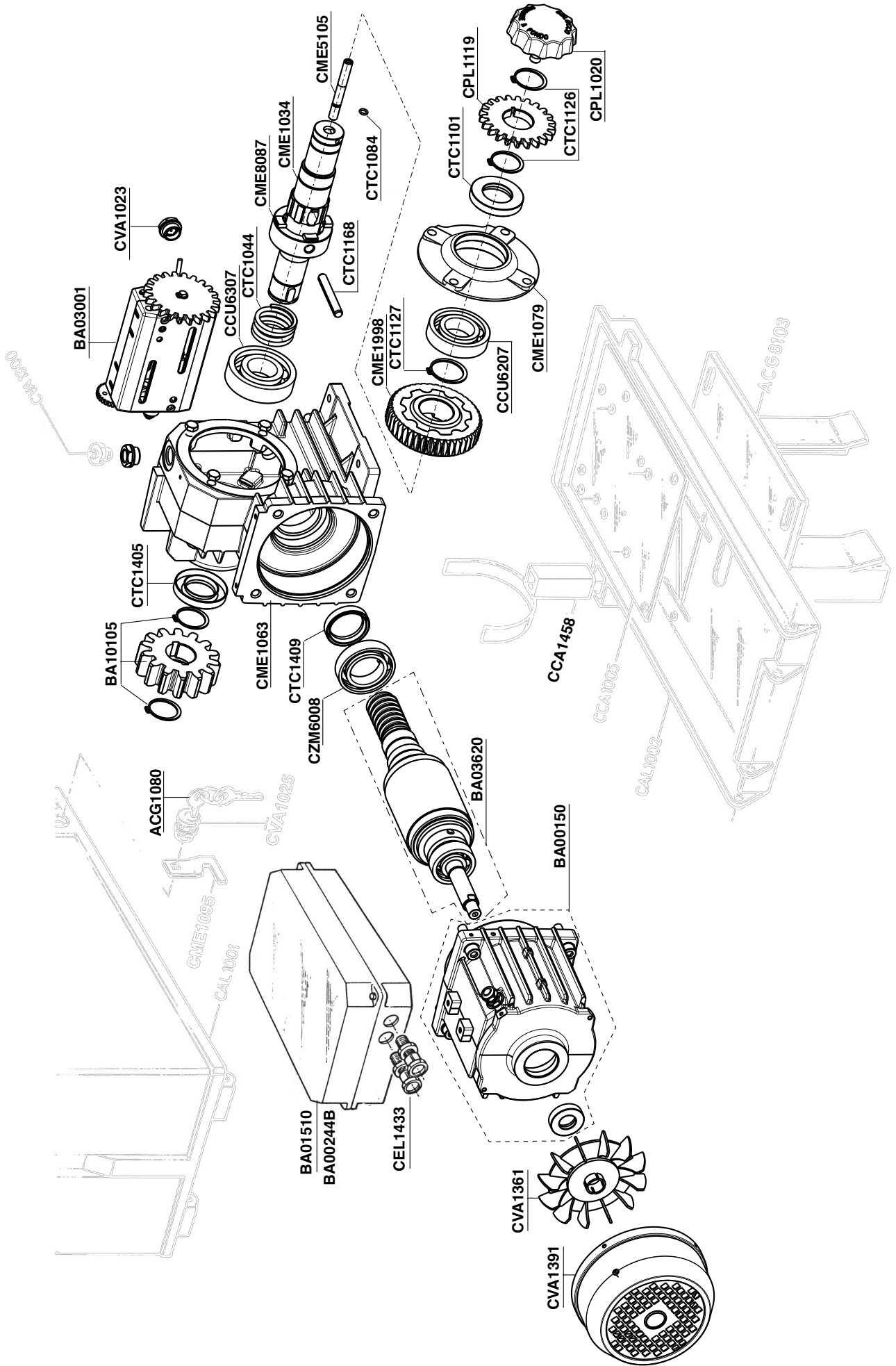
K800 24V FAST



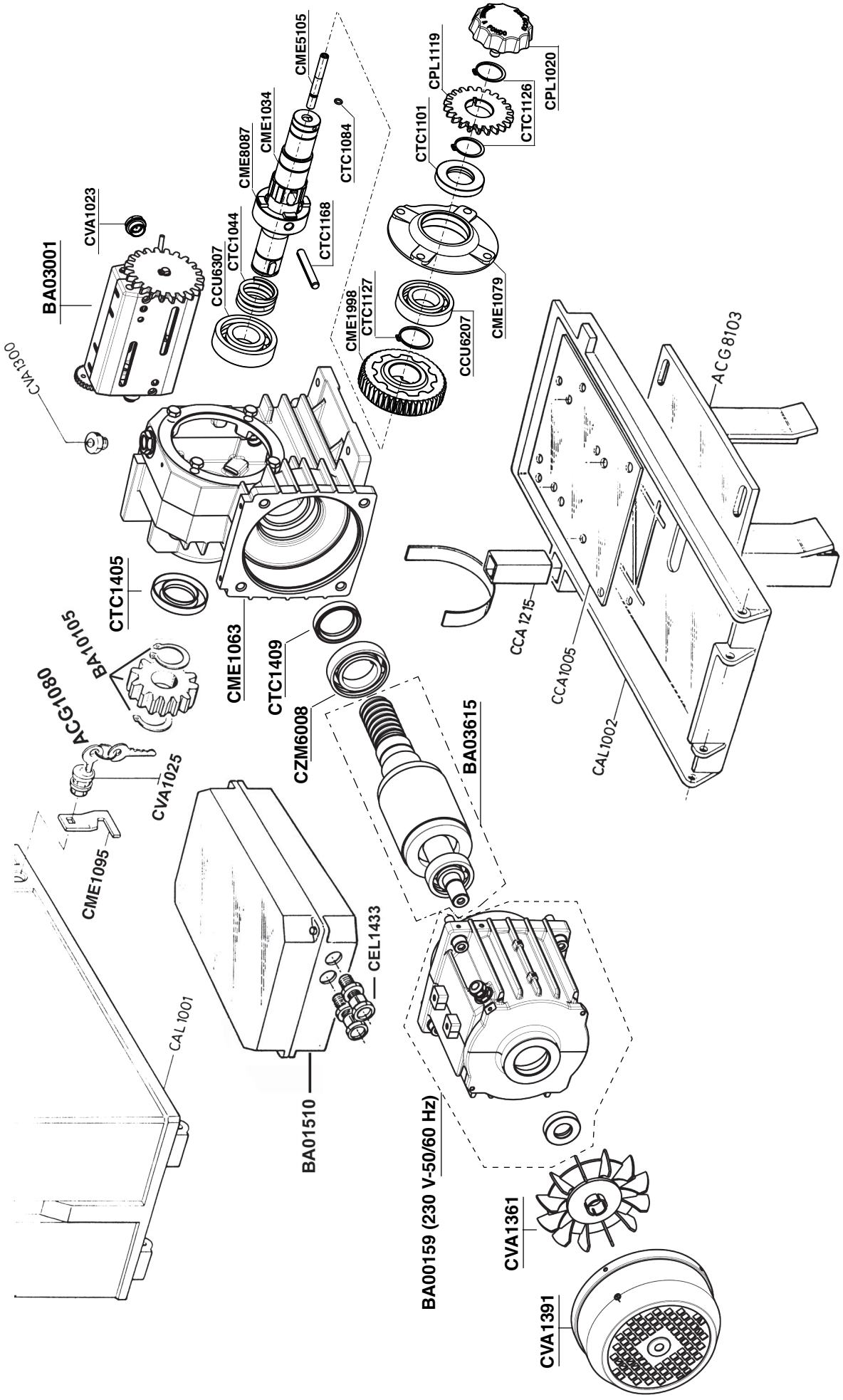
SUPER 2200 FCE-FCM



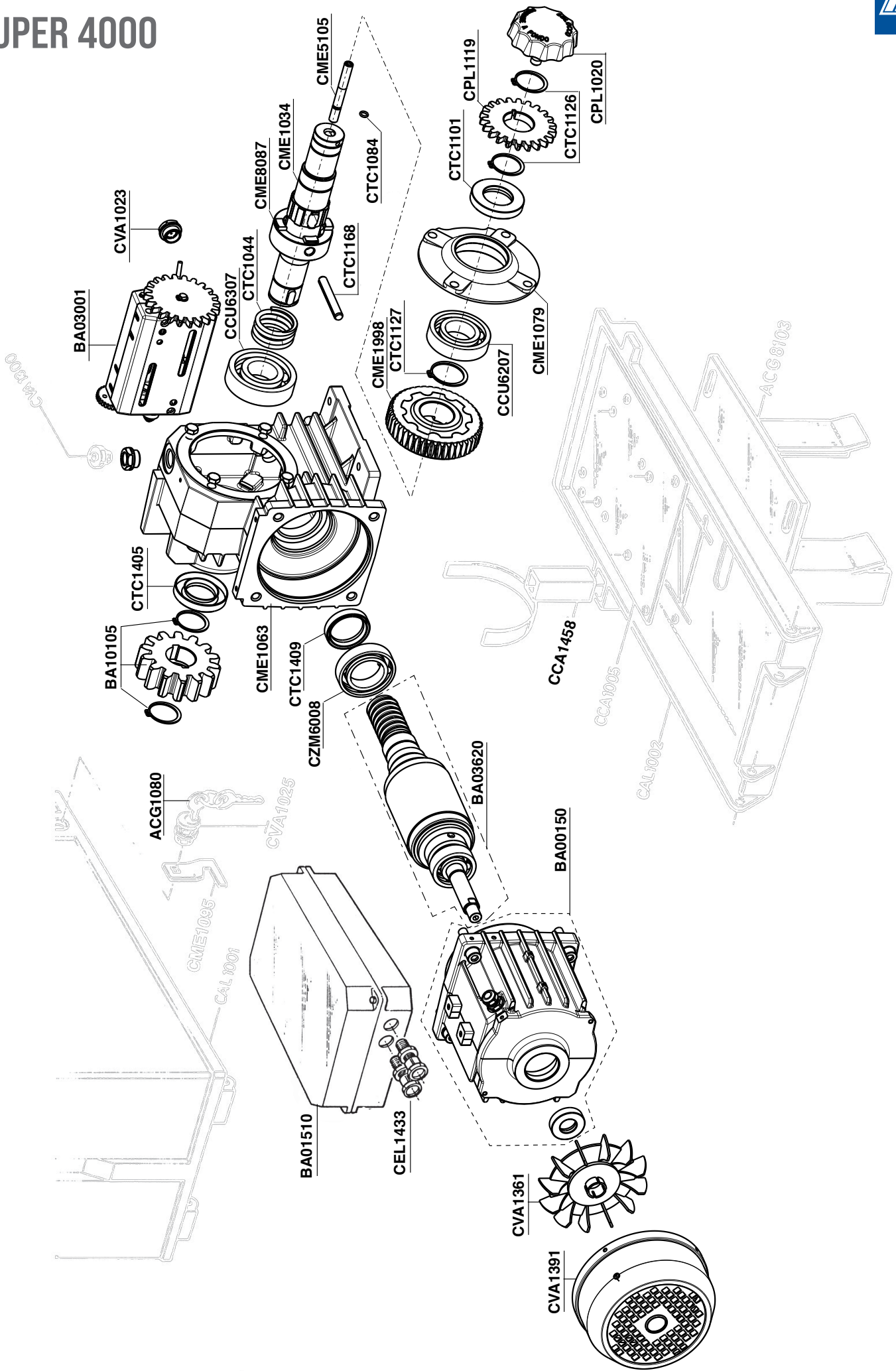
SUPER 3000 FAST



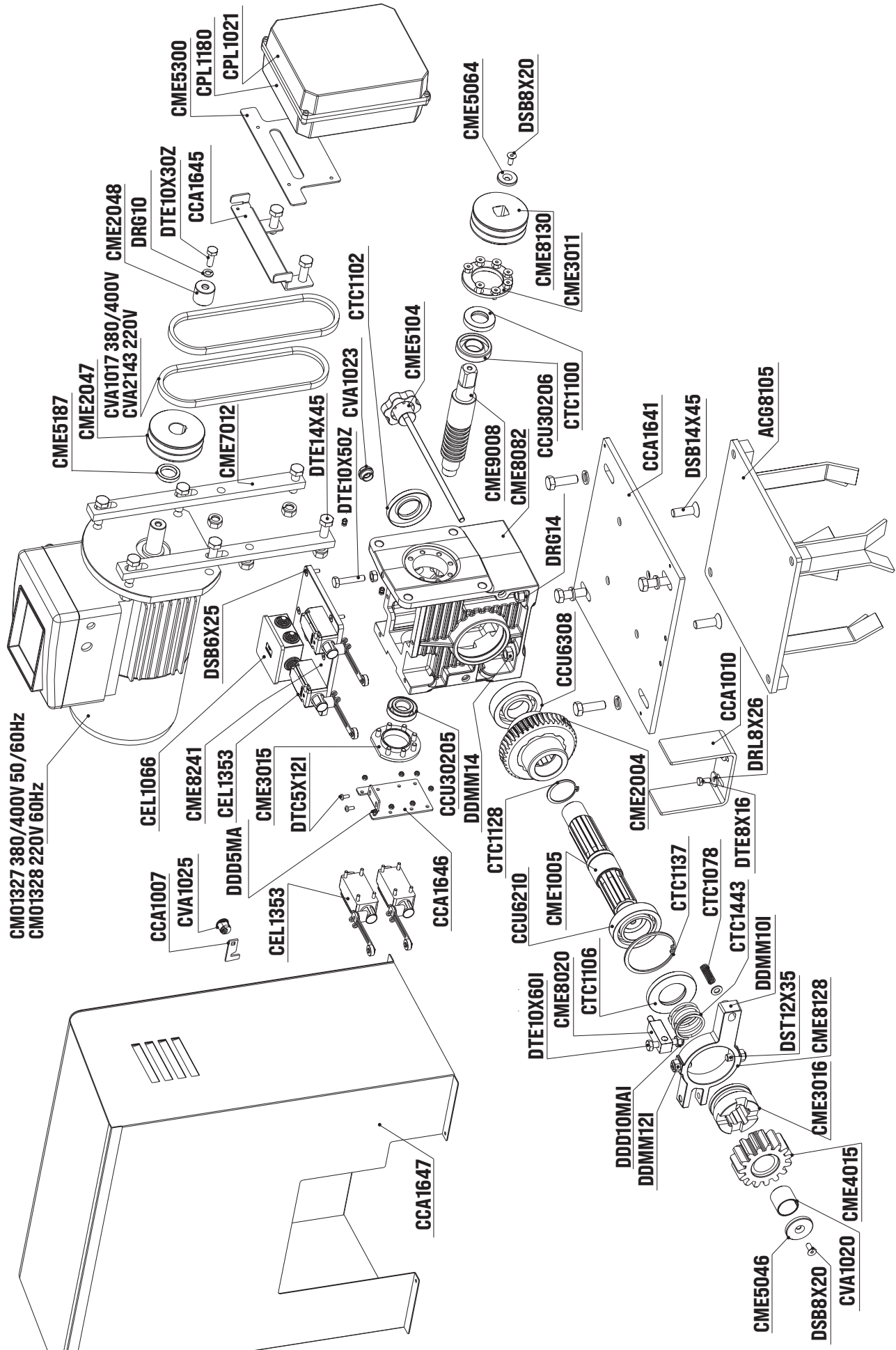
SUPER 3600



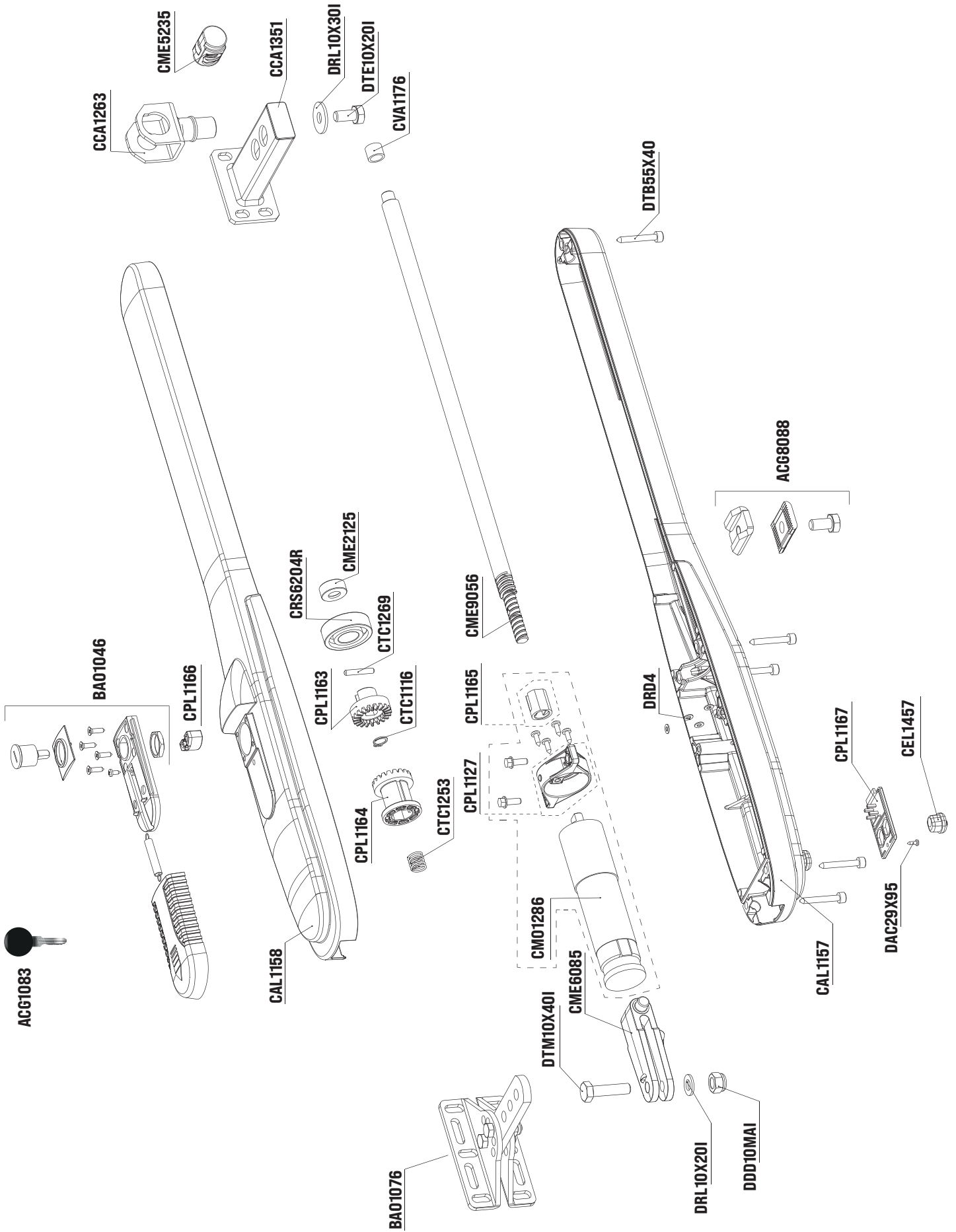
SUPER 4000



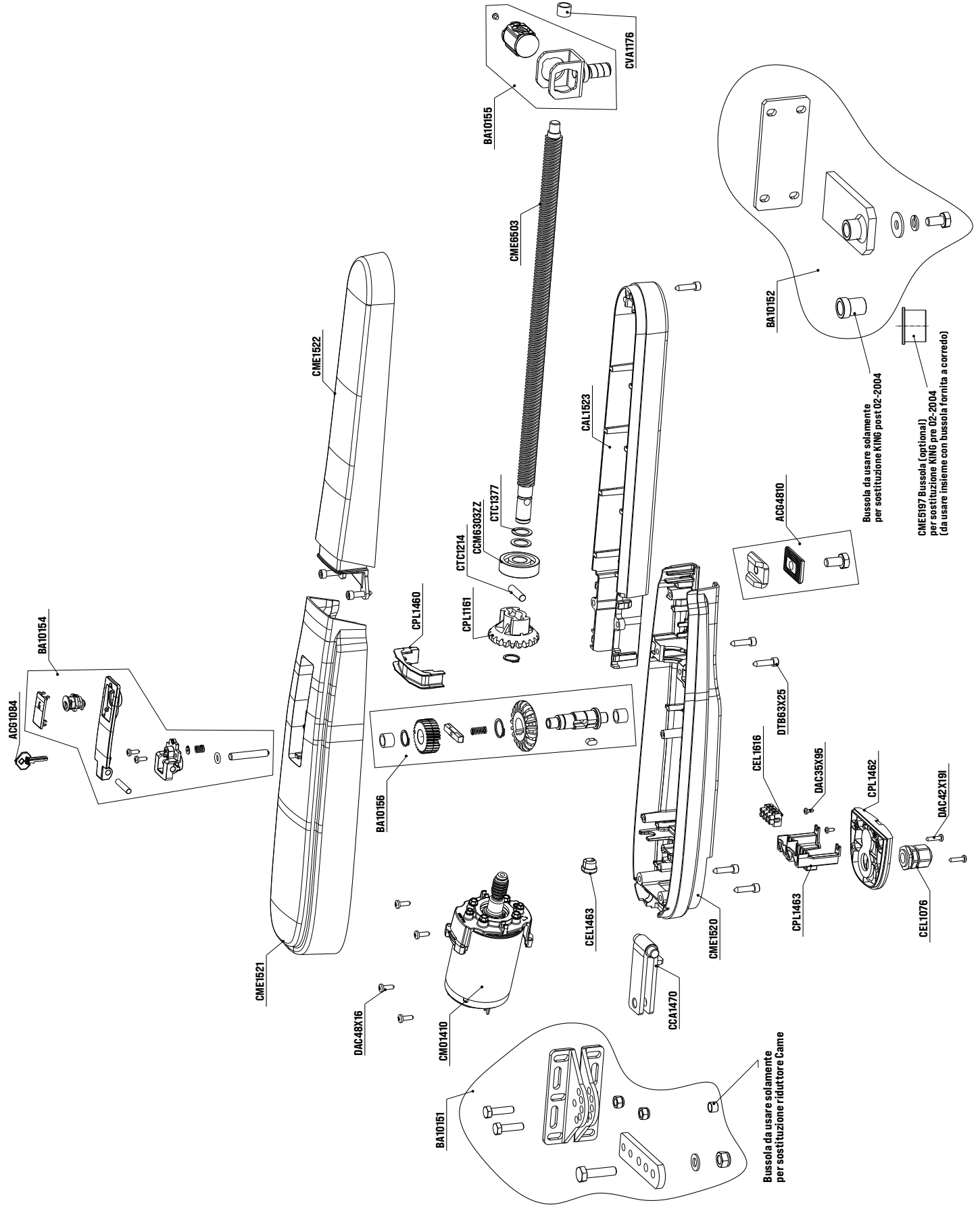
SUPER 8000 FAST



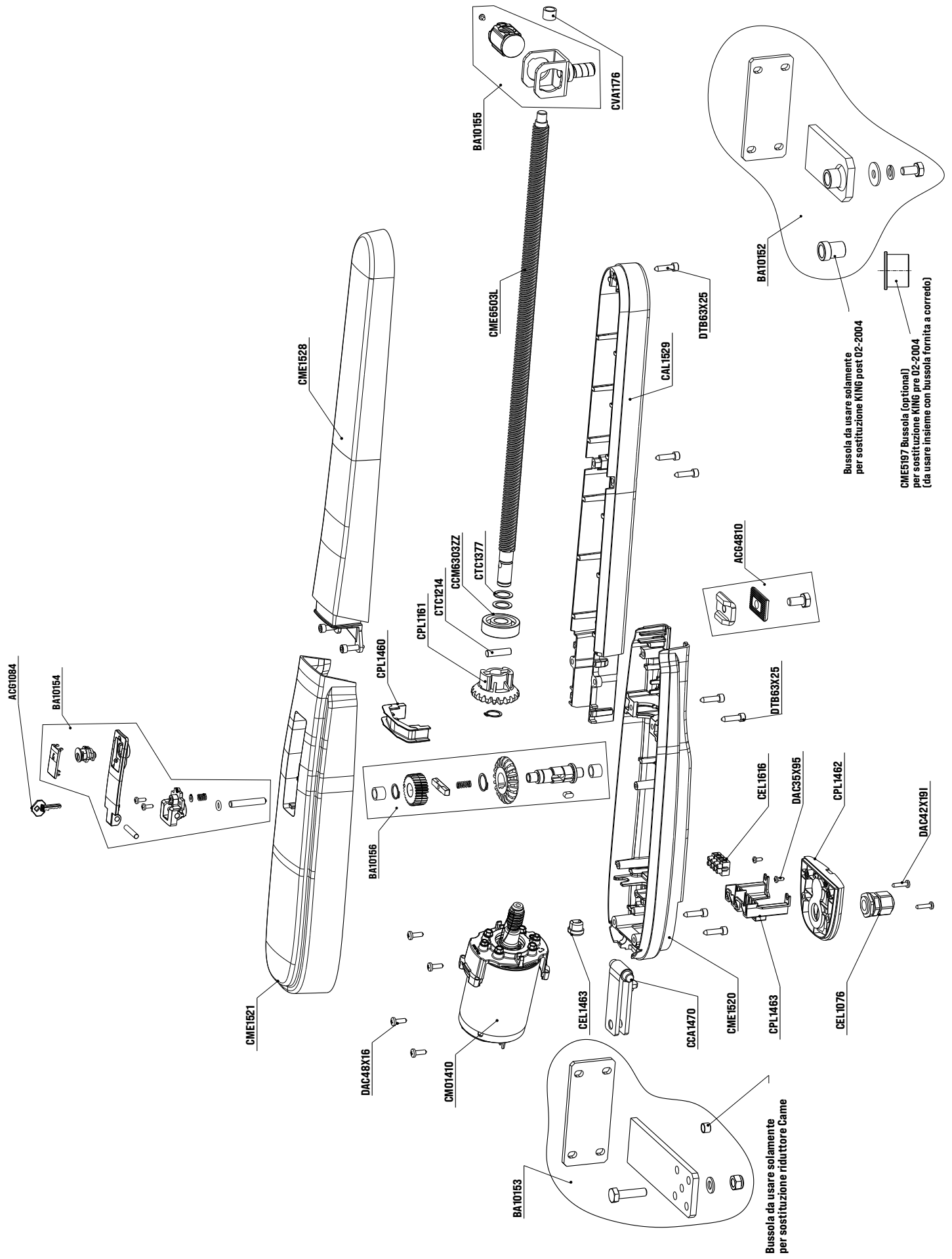
PRINCE 24V



KING EVO 24V



KING EVO L 24V

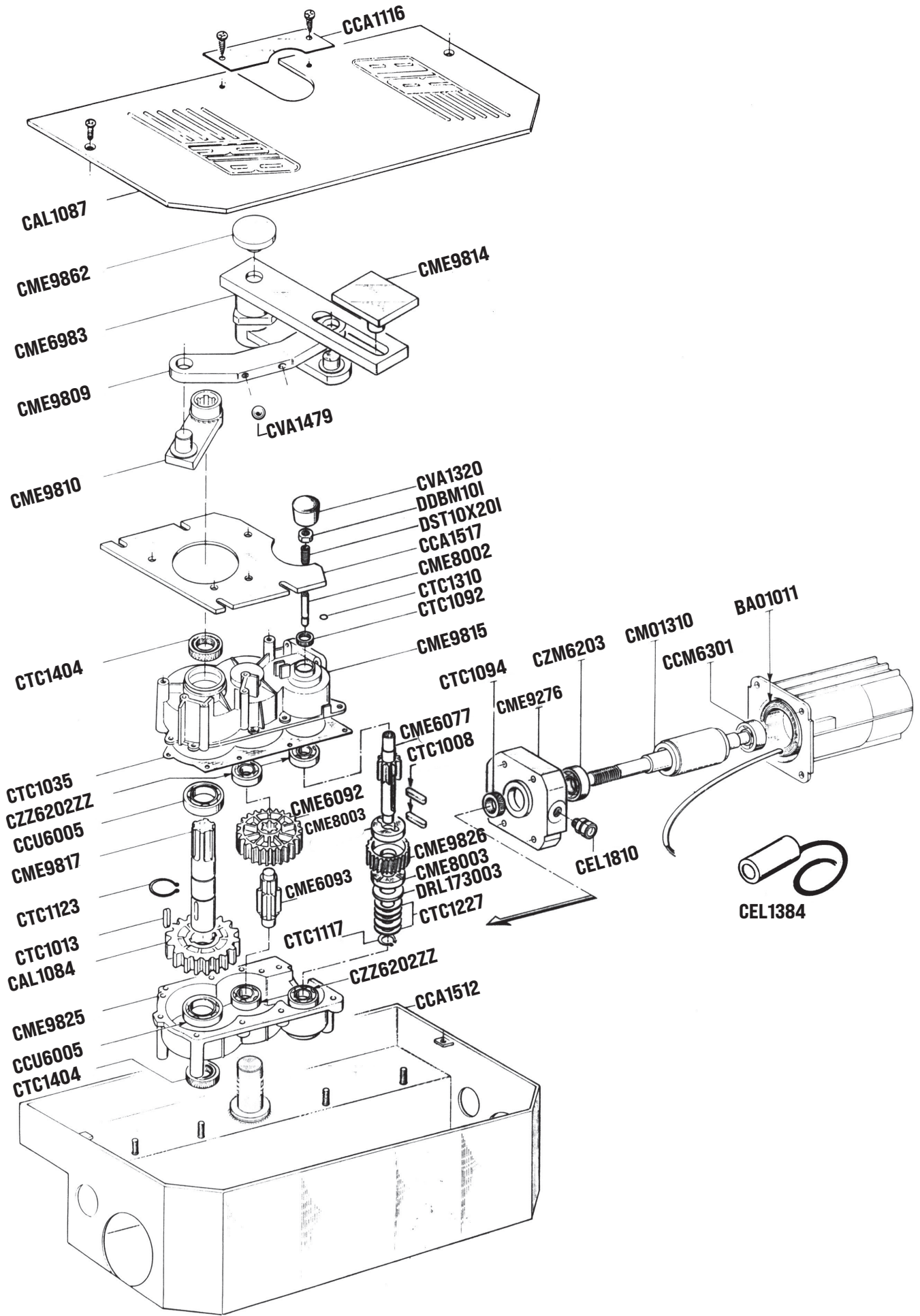


Bussola da usare solamente per sostituzione KING post 02-2004

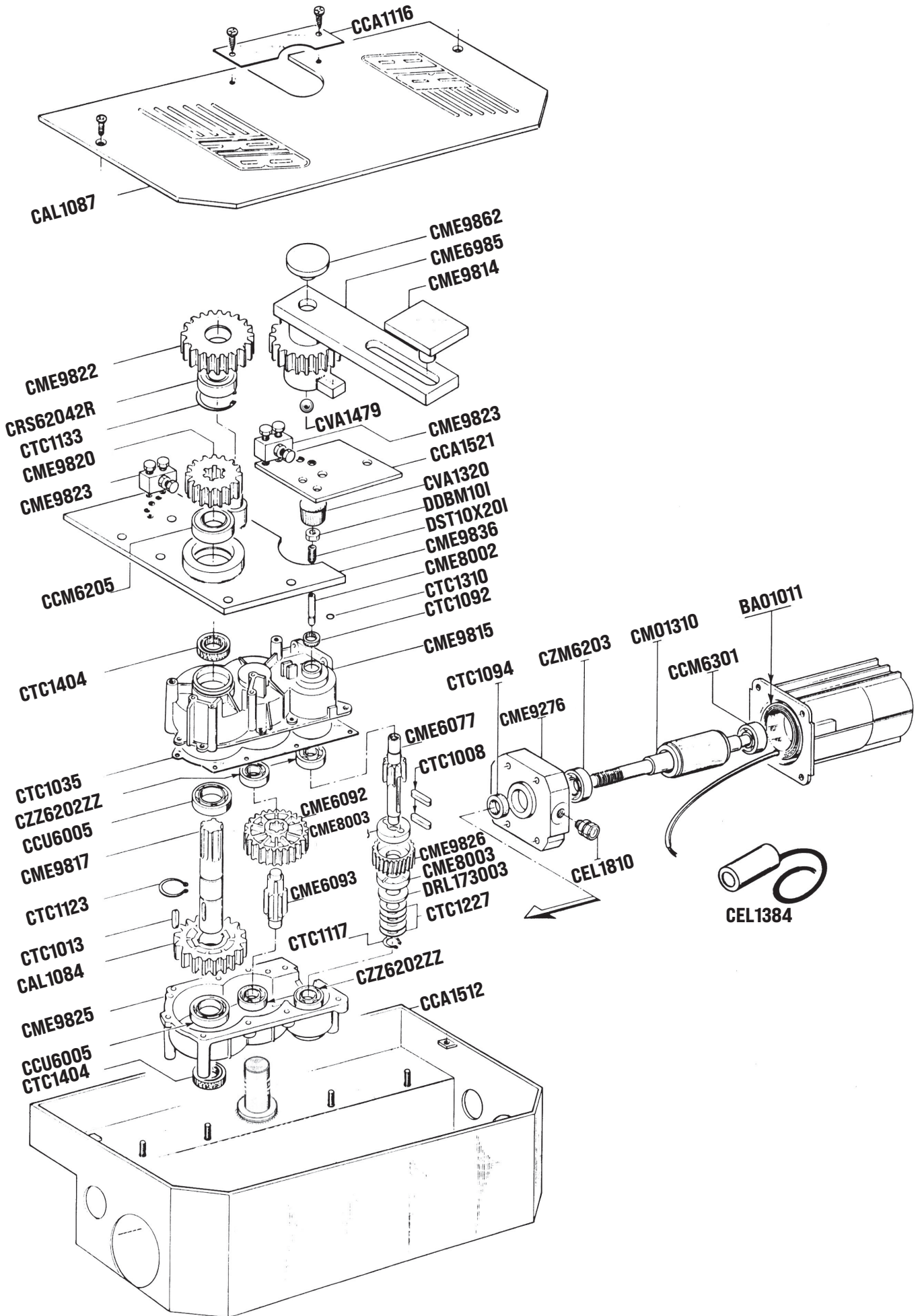
CME5197 Bussola (optional) per sostituzione KING pre 02-2004 (da usare insieme con bussola fornita a corredo)

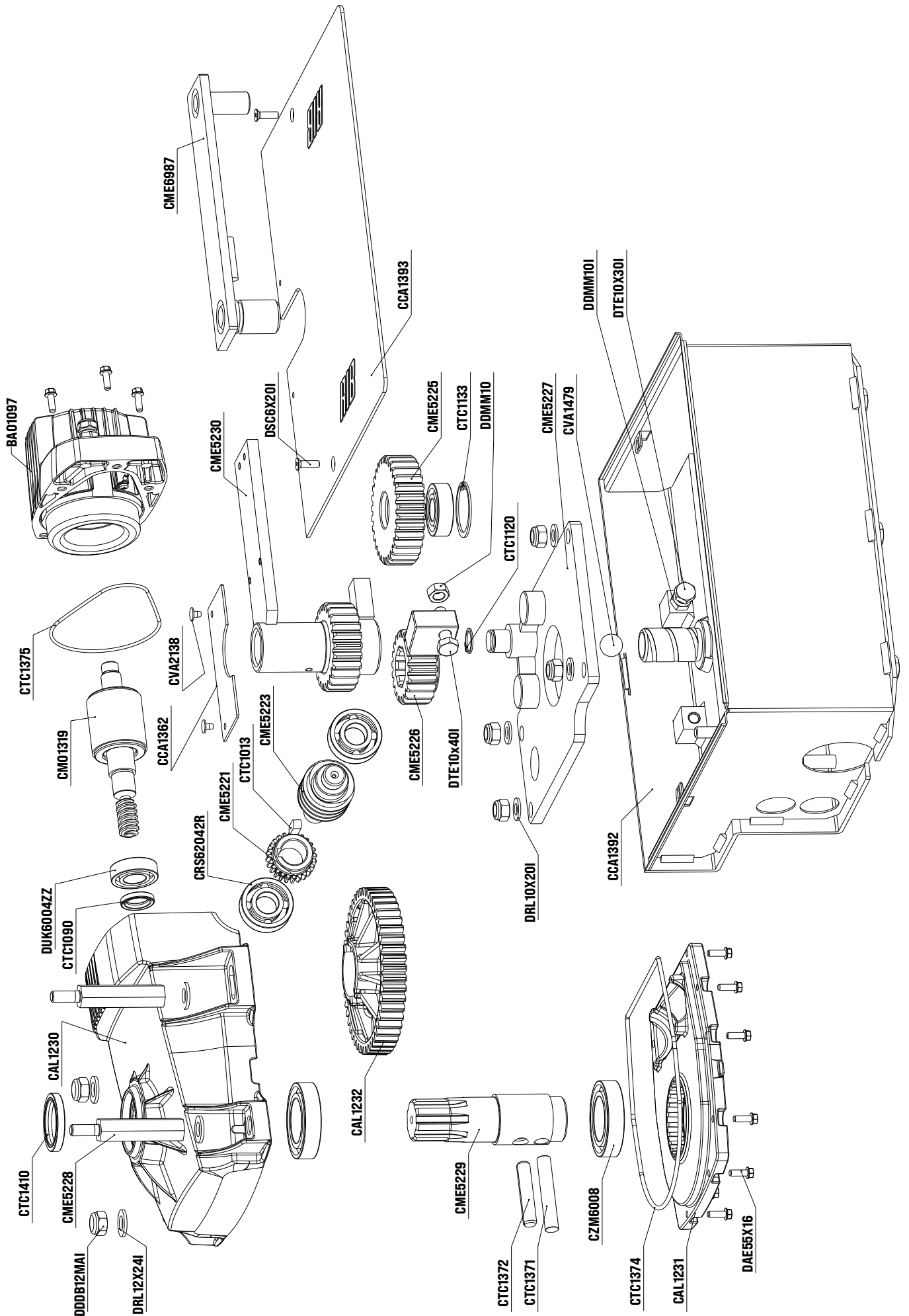
Bussola da usare solamente per sostituzione riduttore Came

MAGIC REV 105°

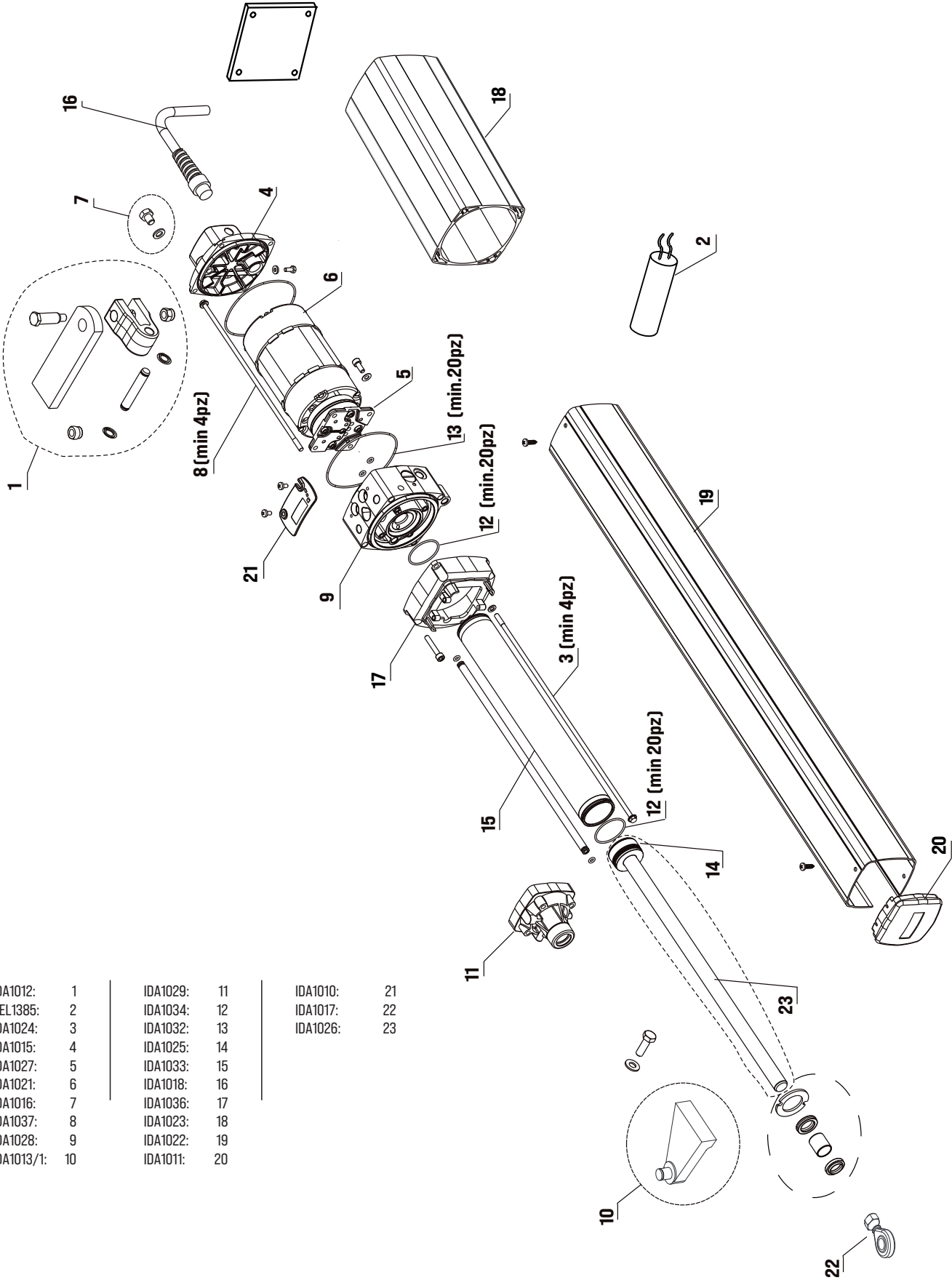


MAGIC REV 180°



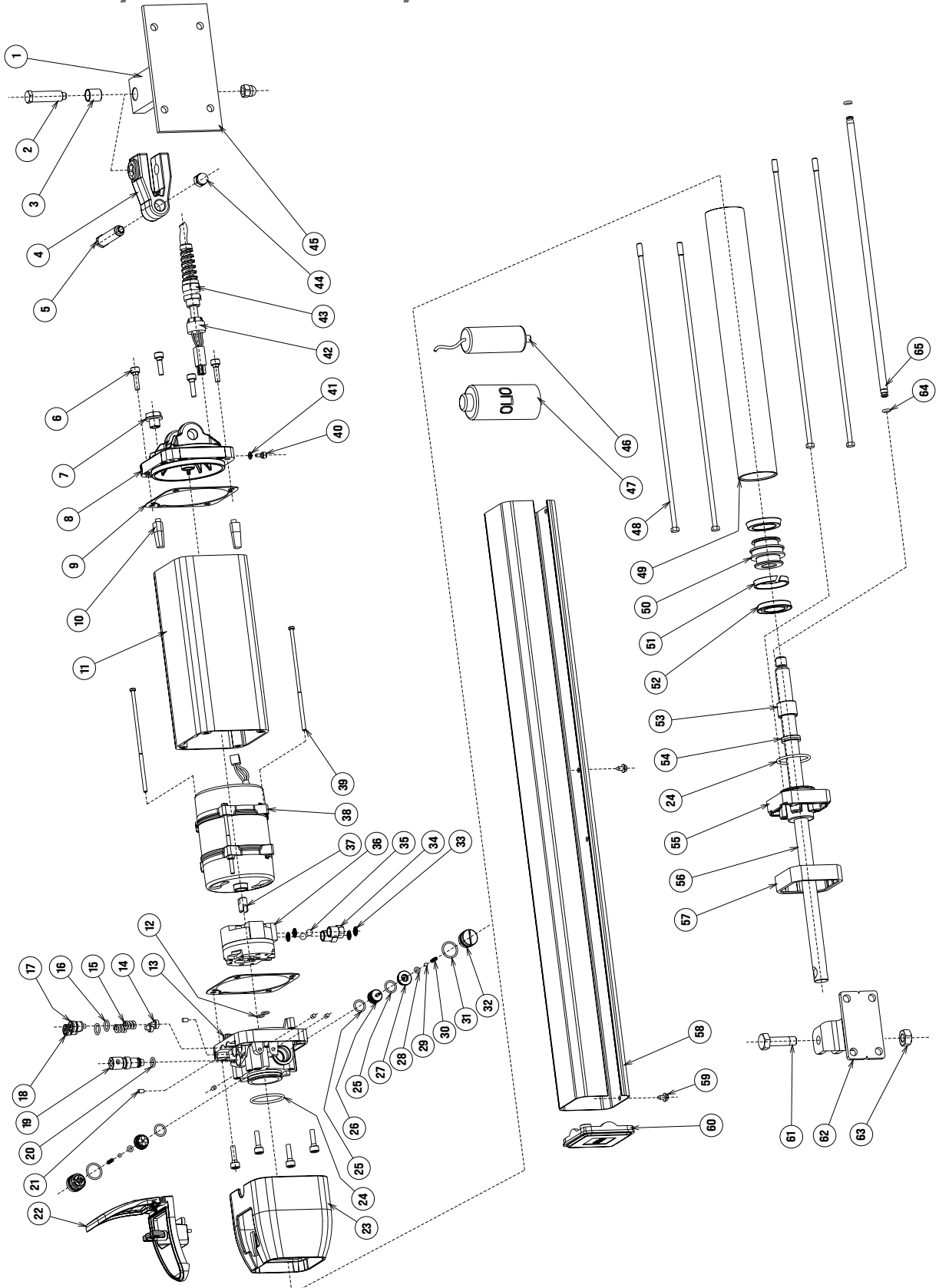


IDRO C 27/1B - IDRO C 27/2B - IDRO C 27/R



| | | | | | |
|------------|----|----------|----|----------|----|
| IDA1012: | 1 | IDA1029: | 11 | IDA1010: | 21 |
| CEL1385: | 2 | IDA1034: | 12 | IDA1017: | 22 |
| IDA1024: | 3 | IDA1032: | 13 | IDA1026: | 23 |
| IDA1015: | 4 | IDA1025: | 14 | | |
| IDA1027: | 5 | IDA1033: | 15 | | |
| IDA1021: | 6 | IDA1018: | 16 | | |
| IDA1016: | 7 | IDA1036: | 17 | | |
| IDA1037: | 8 | IDA1023: | 18 | | |
| IDA1028: | 9 | IDA1022: | 19 | | |
| IDA1013/1: | 10 | IDA1011: | 20 | | |

IDRODUE 27/R - IDRODUE 27/1B



| | |
|------------|-------------------------------------|
| IDR0027/1: | 42-8-9-43-41-7-40 |
| IDR0100: | 57-55-24-54-53 |
| IDR0065: | 31-34-33-32 |
| IDR0052: | 33-36-35-34 |
| IDR0101: | 43-12-42-41 |
| IDR0102: | 19-26-27-29-21-32-17-18 |
| IDR0103: | 14-13-16-31-20-25-24-15-19-26-17-18 |
| IDR0003: | 1-3 |
| IDR0062: | 61-62-63 |
| IDR0009: | 44-5 |
| IDR0104: | 44-2 |
| IDR0105: | 44 |

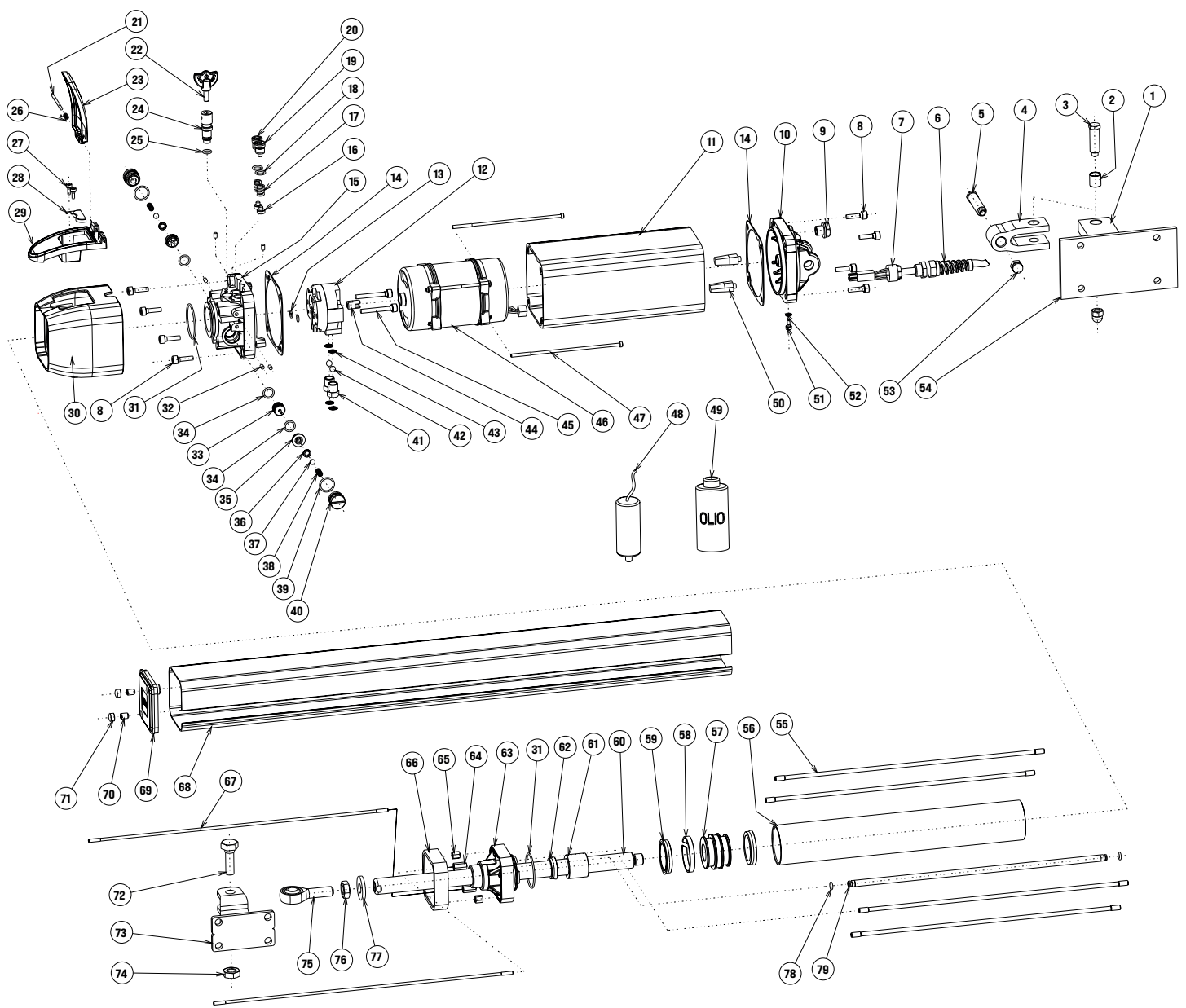
| | |
|----------|--|
| IDR0058: | 50-51-52-56 |
| IDR0106: | 50-51-52 |
| IDR0107: | 63-61-44-33-15-30-59-41-29-35-59-40-6-61 |
| IDR0108: | 14-51-54-16-31-64-28-20-25-9-12-52-24-10 |
| IDR0109: | 33-35-34 |
| IDR0110: | 31-28-25-30-26-27-29-32 |
| IDR0111 | |
| IDR0112 | |
| IDR0080: | 42 |
| IDR0054: | 49 |
| CEL1384: | 46 |
| IDR0113: | 60 |

| | |
|----------|----|
| IDR0114: | 57 |
| IDR0115: | 11 |
| IDR0116 | 58 |
| IDR0117 | |
| IDR0118: | 4 |
| IDR0015: | 37 |
| IDR0119: | 23 |
| IDR0120: | 28 |
| IDR0121 | |
| IDR0122: | 38 |
| IDR0123 | |
| IDR0051: | 47 |

| | |
|------------|----|
| IDR0124: | 19 |
| IDR0002: | 45 |
| IDR0125: | 26 |
| IDR0056: | 50 |
| IDR0007: | 43 |
| IDR0126: | 27 |
| IDR0127: | 60 |
| IDR0128: | 56 |
| IDR0129: | 66 |
| IDR0014/1: | 34 |
| IDR0123: | 32 |
| IDR0131: | 10 |

| | |
|----------|----|
| IDR0132: | 48 |
| IDR0133: | 39 |
| IDR0134 | |
| IDR0040: | 65 |
| IDR0136: | 59 |
| IDR0019: | 17 |
| IDR0018: | 18 |

IDRODUE 27 SUPER/R - IDRODUE 27 SUPER/1B



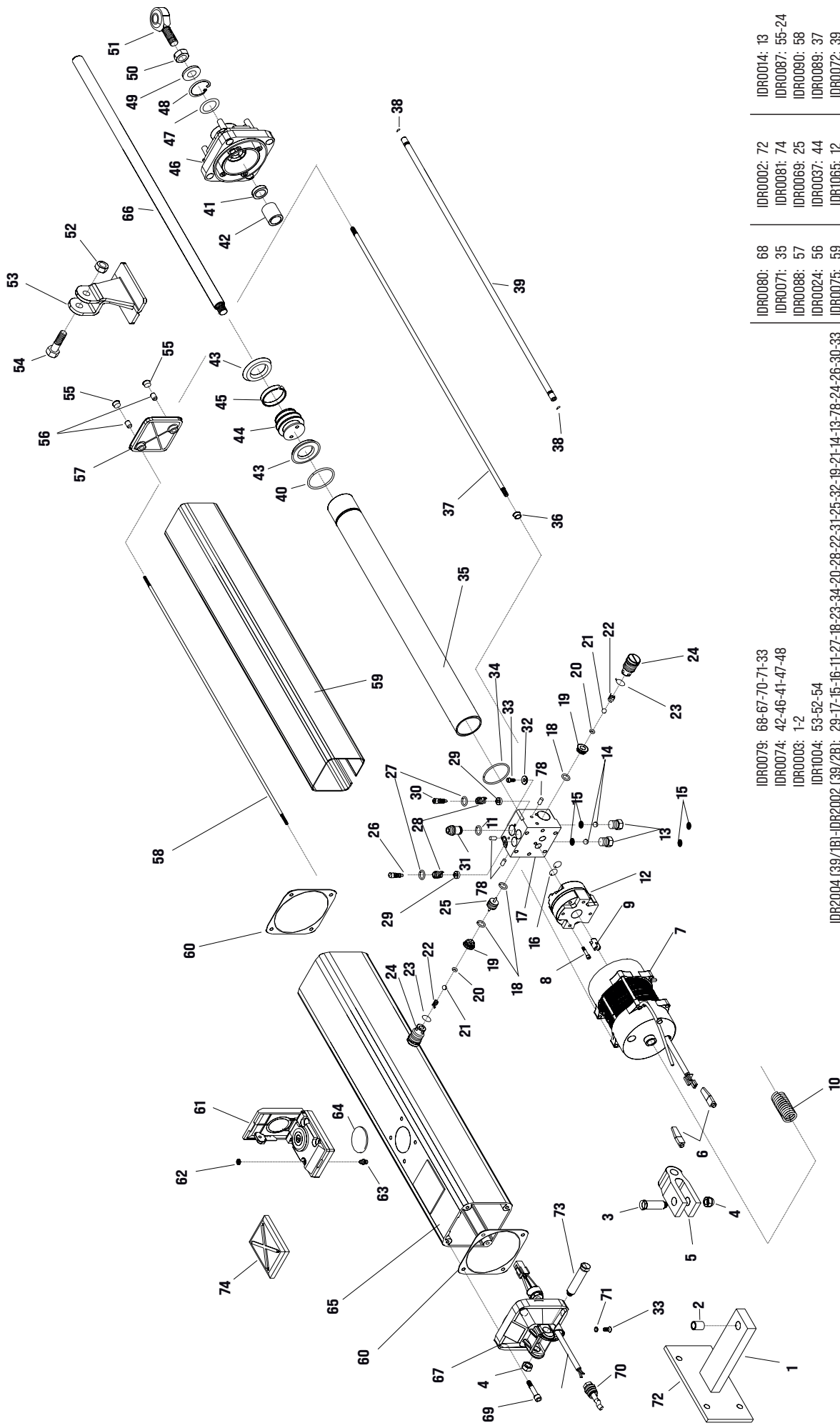
| | |
|------------|---|
| IDR0027/1: | 7-10-14-6-52-9-51 |
| IDR0091: | 61-63-66-62-31 |
| IDR0137: | 43-12-42-41 |
| IDR0065: | 43-12-42-41 |
| IDR0101: | 43-12-42-41 |
| IDR0139: | 16-15-18-39-25-34-31-36-17-38-24-33-35-37-32-40-19-20 |
| IDR0140: | 16-15-18-39-25-34-31-17-24-33-32-19-20 |
| IDR0003: | 1-2 |
| IDR0046: | 73-74-72 |
| IDR0009: | 53-5 |
| IDR0004: | 53-3 |
| IDR0141: | 70-64-65-74-17-38-52-51-27-45-8-72 |
| IDR0142: | 16-58-59-14-4-39-78-25-13-18-34-31-36-50 |
| IDR0109: | 43-42-41 |
| IDR0143: | 34-39-36-38-33-35-37-40 |
| IDR0111: | 29-28-22-23-26-21-27 |

| | |
|----------|----|
| IDR0080: | 7 |
| IDR0035: | 56 |
| CEL1380: | 48 |
| IDR0088: | 69 |
| IDR0144: | 66 |
| IDR0024: | 70 |
| IDR0115: | 11 |
| IDR0145: | 68 |
| IDR0048: | 1 |
| IDR0146: | 1 |
| IDR0005: | 4 |
| IDR0015: | 44 |
| IDR0020: | 36 |
| IDR0085: | 46 |
| IDR0123: | 46 |
| IDR0051: | 49 |

| | |
|------------|----|
| IDR0124: | 24 |
| IDR0002: | 54 |
| IDR0125: | 33 |
| IDR0037: | 57 |
| IDR0007: | 6 |
| IDR0147: | 35 |
| IDR0023: | 75 |
| IDR0148: | 60 |
| IDR0014/1: | 41 |
| IDR0087: | 71 |
| IDR0149: | 40 |
| IDR0131: | 50 |
| IDR0047: | 67 |
| IDR0041: | 55 |
| IDR0150: | 10 |
| IDR0151: | 10 |

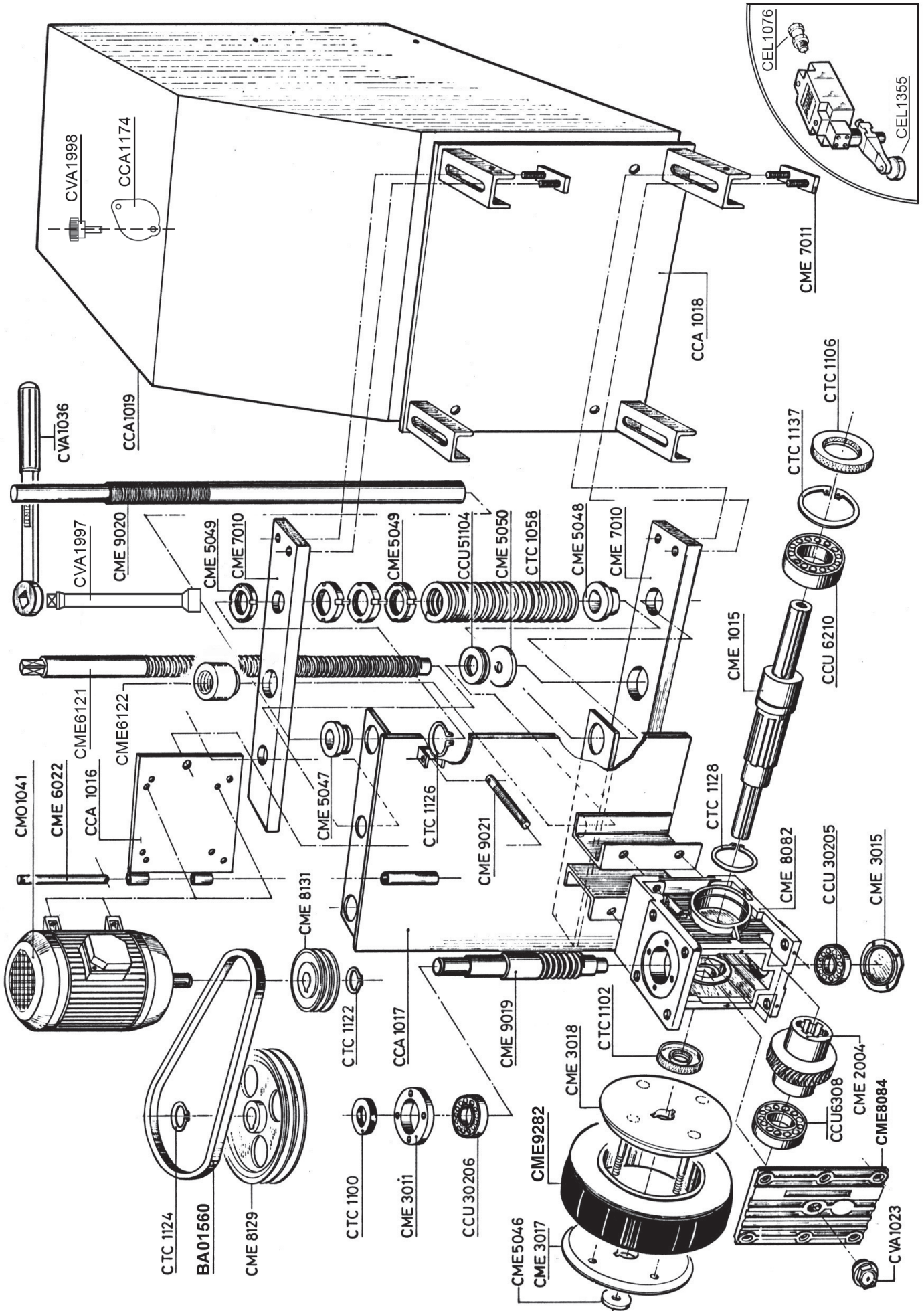
| | |
|----------|----|
| IDR0134: | 47 |
| IDR0040: | 79 |
| IDR0152: | 9 |
| IDR0138: | 9 |
| IDR0019: | 19 |
| IDR0018: | 20 |

IDRO 39/1B - IDRO 39/2B

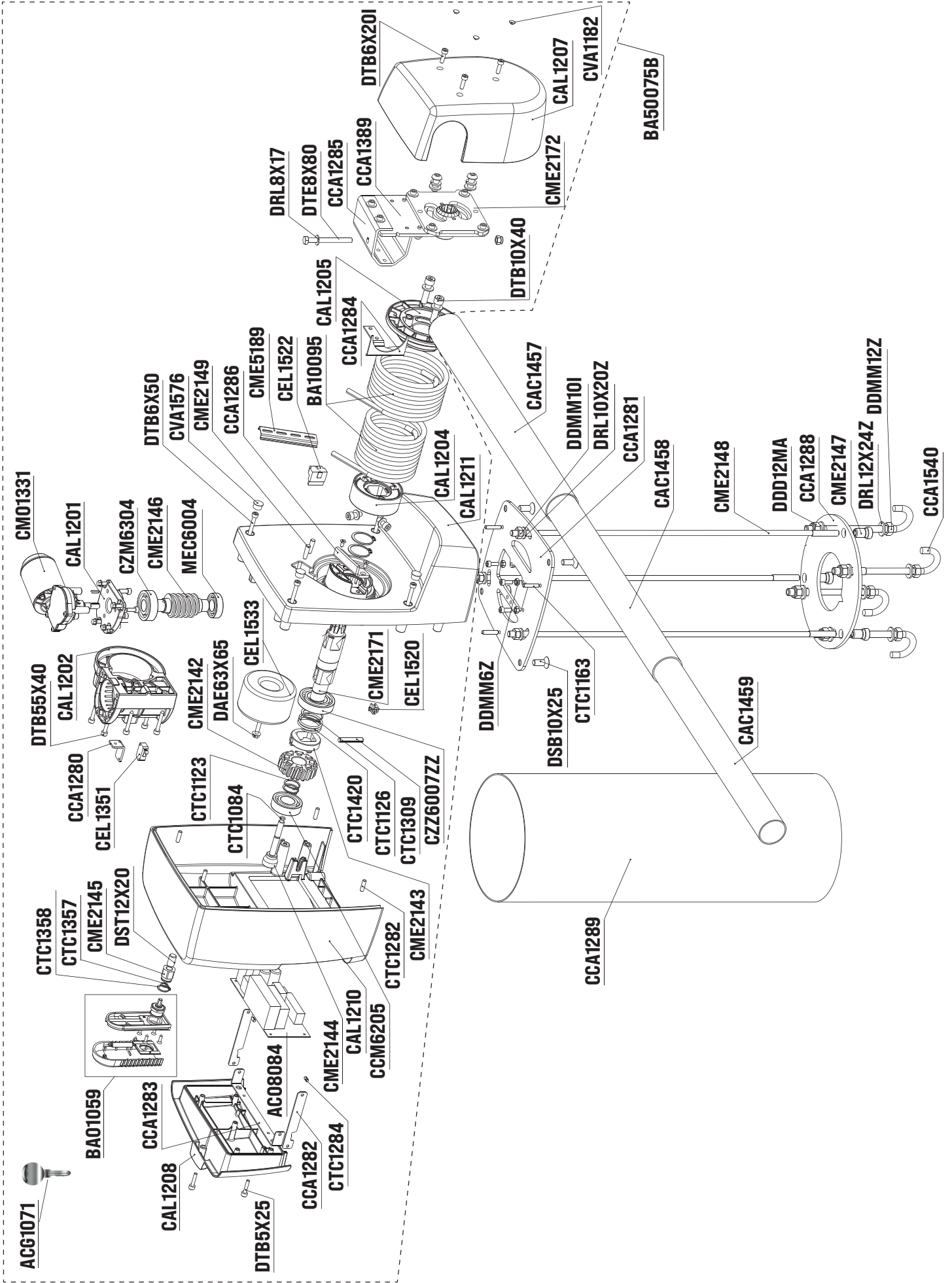


| | | |
|----------------|-------------|-------------|
| IDR0014: 13 | IDR0002: 72 | IDR0080: 68 |
| IDR0087: 55-24 | IDR0081: 74 | IDR0071: 35 |
| IDR0090: 68 | IDR0069: 25 | IDR0088: 57 |
| IDR0089: 37 | IDR0037: 44 | IDR0024: 56 |
| IDR0072: 39 | IDR1065: 12 | IDR0075: 59 |
| IDR0019: 26 | IDR0007: 70 | IDR0005: 5 |
| IDR0018: 30 | IDR0076: 61 | IDR0015: 9 |
| | IDR0067: 19 | IDR0020: 20 |
| | IDR0023: 51 | IDR0085: 7 |
| | IDR0099: 66 | IDR0070: 31 |

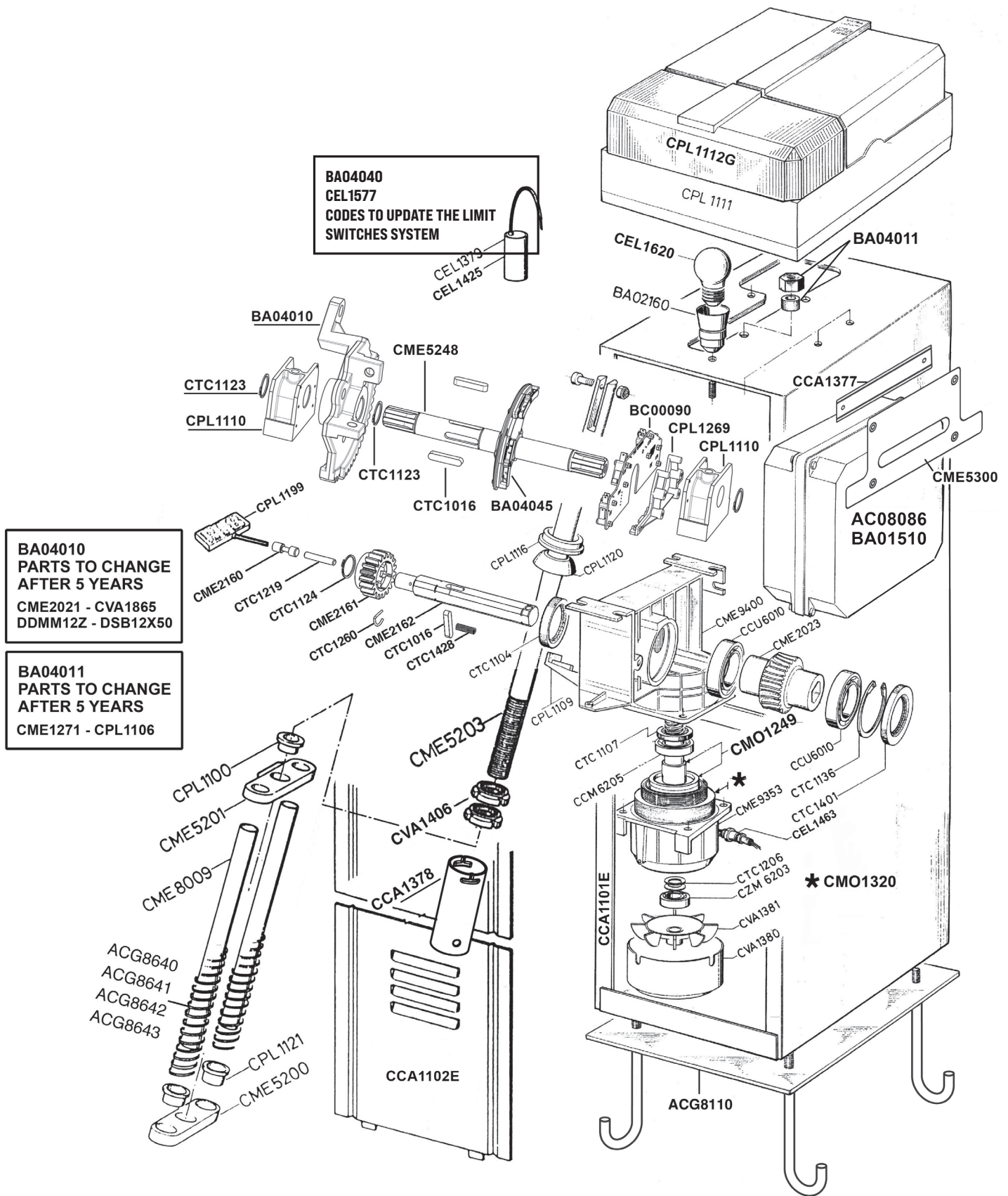
| | |
|-------------------------|--|
| IDR0079: 68-67-70-71-33 | IDR2004 (39/1B)-IDR2002 (39/2B): 29-17-15-16-11-27-18-23-34-20-28-22-31-25-32-19-21-14-13-78-24-26-30-33 |
| IDR0074: 42-46-41-47-48 | IDR0043: 62-36-50-52-15-28-10-22-32-49-47-71-48-21-14-33-8-69-54 |
| IDR0003: 1-2 | IDR0044: 29-45-41-43-60-38-16-11-27-18-23-34-40-64-20-6 |
| IDR1004: 53-52-54 | IDR0004: 4-3 |
| IDR0078: 65-63 | IDR0009: 4-73 |



PRESIDENT 3 m



RAPID S

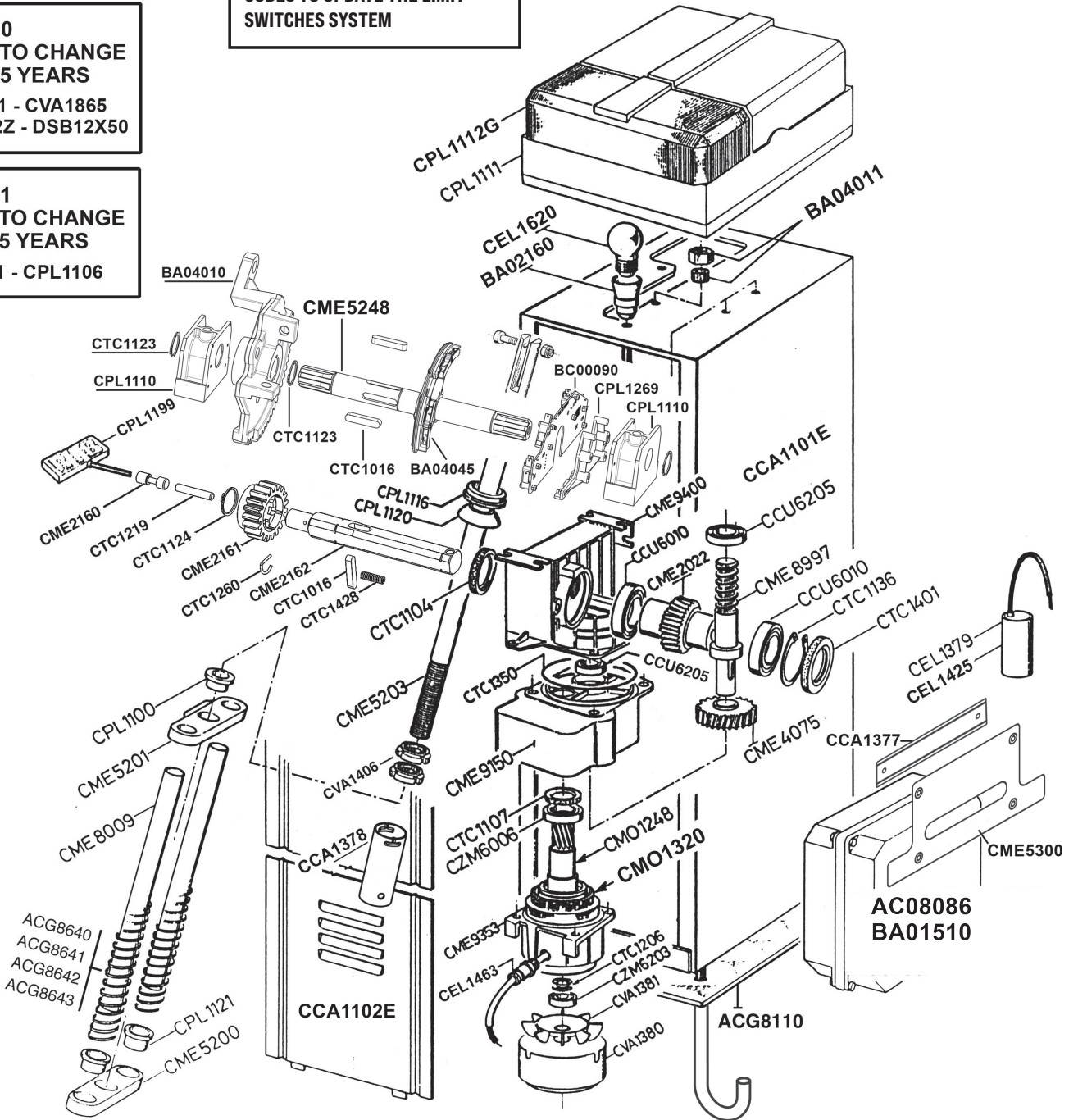


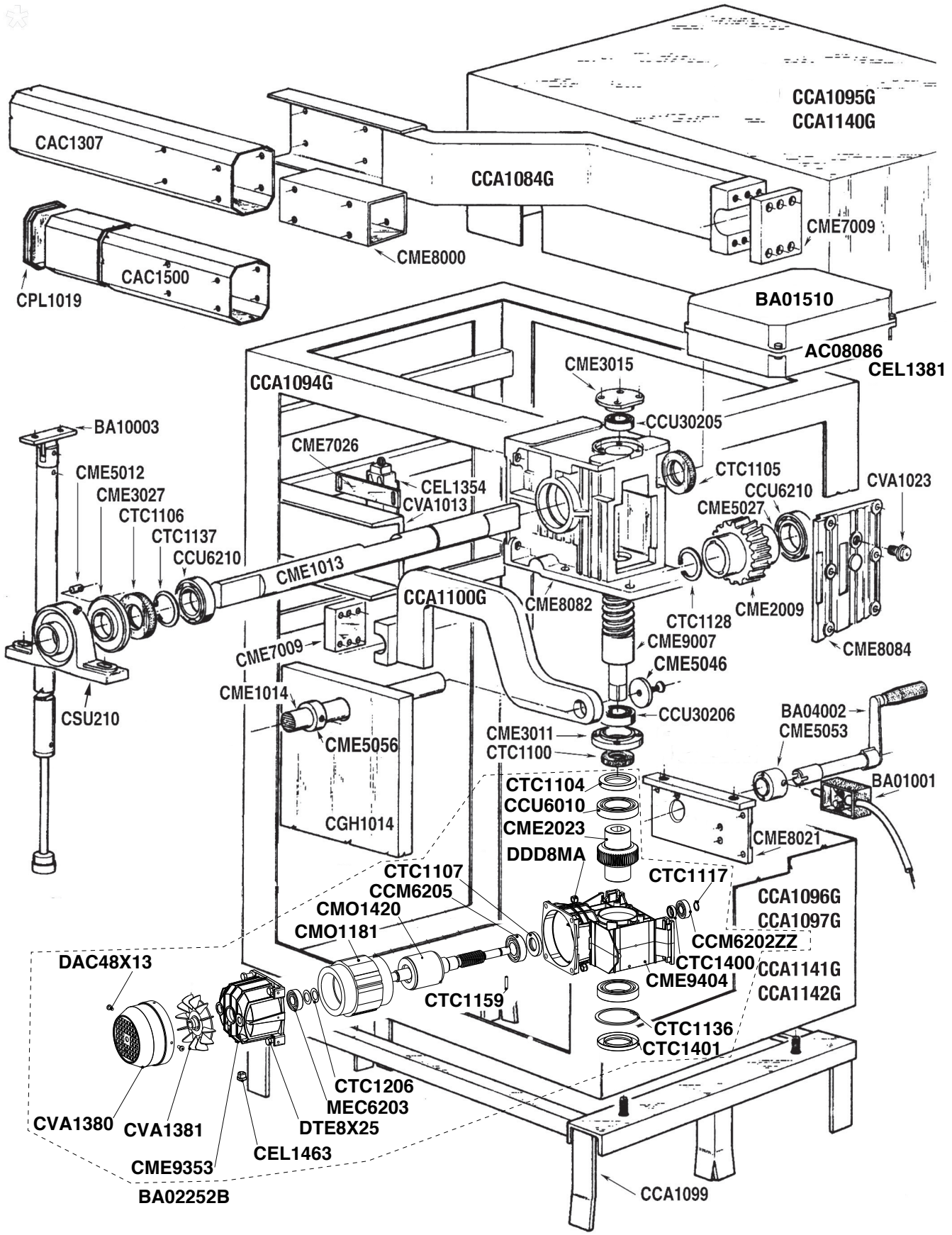
RAPID N

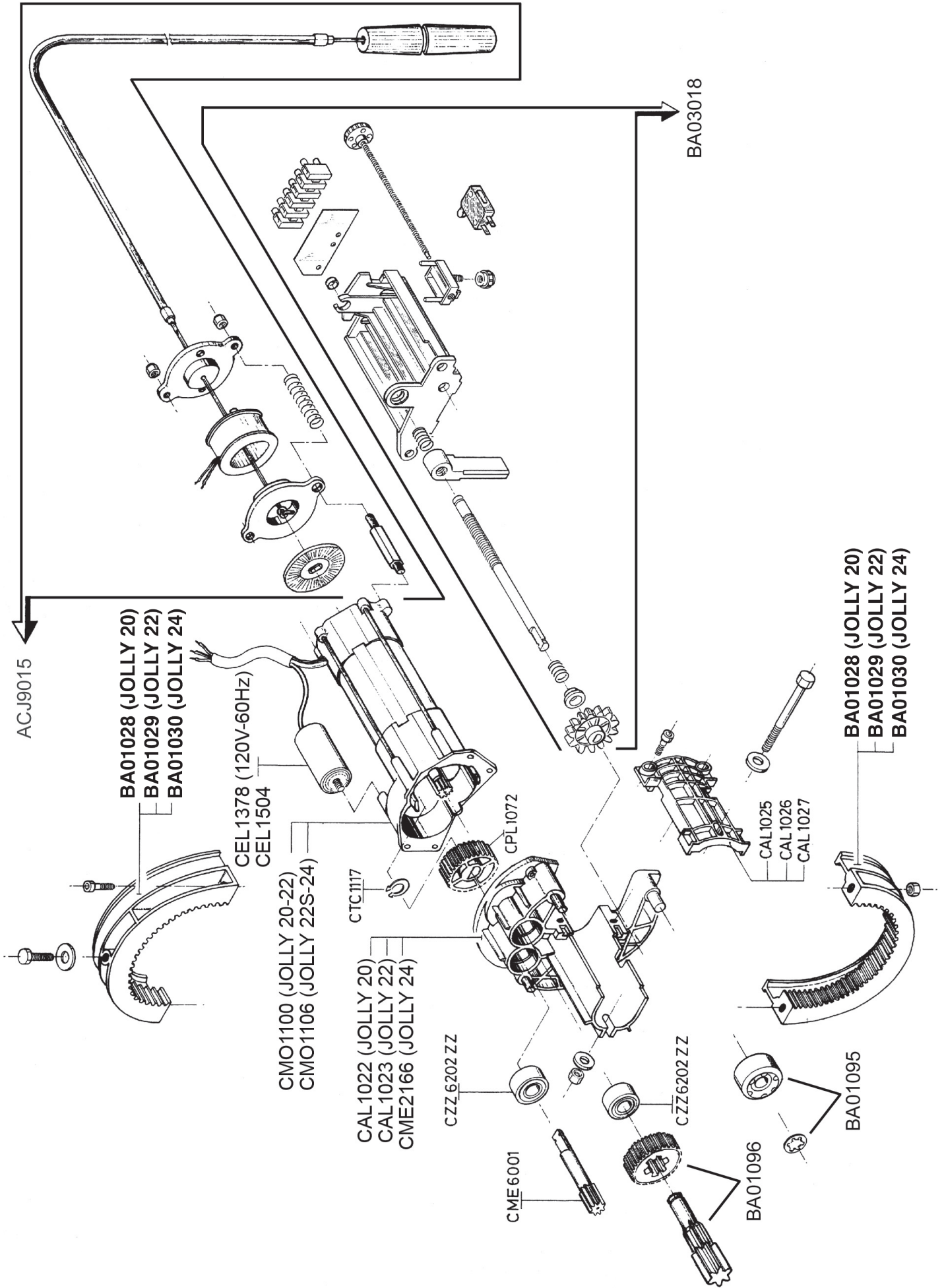
BA04010
PARTS TO CHANGE
AFTER 5 YEARS
 CME2021 - CVA1865
 DDMM12Z - DSB12X50

BA04011
PARTS TO CHANGE
AFTER 5 YEARS
 CME1271 - CPL1106

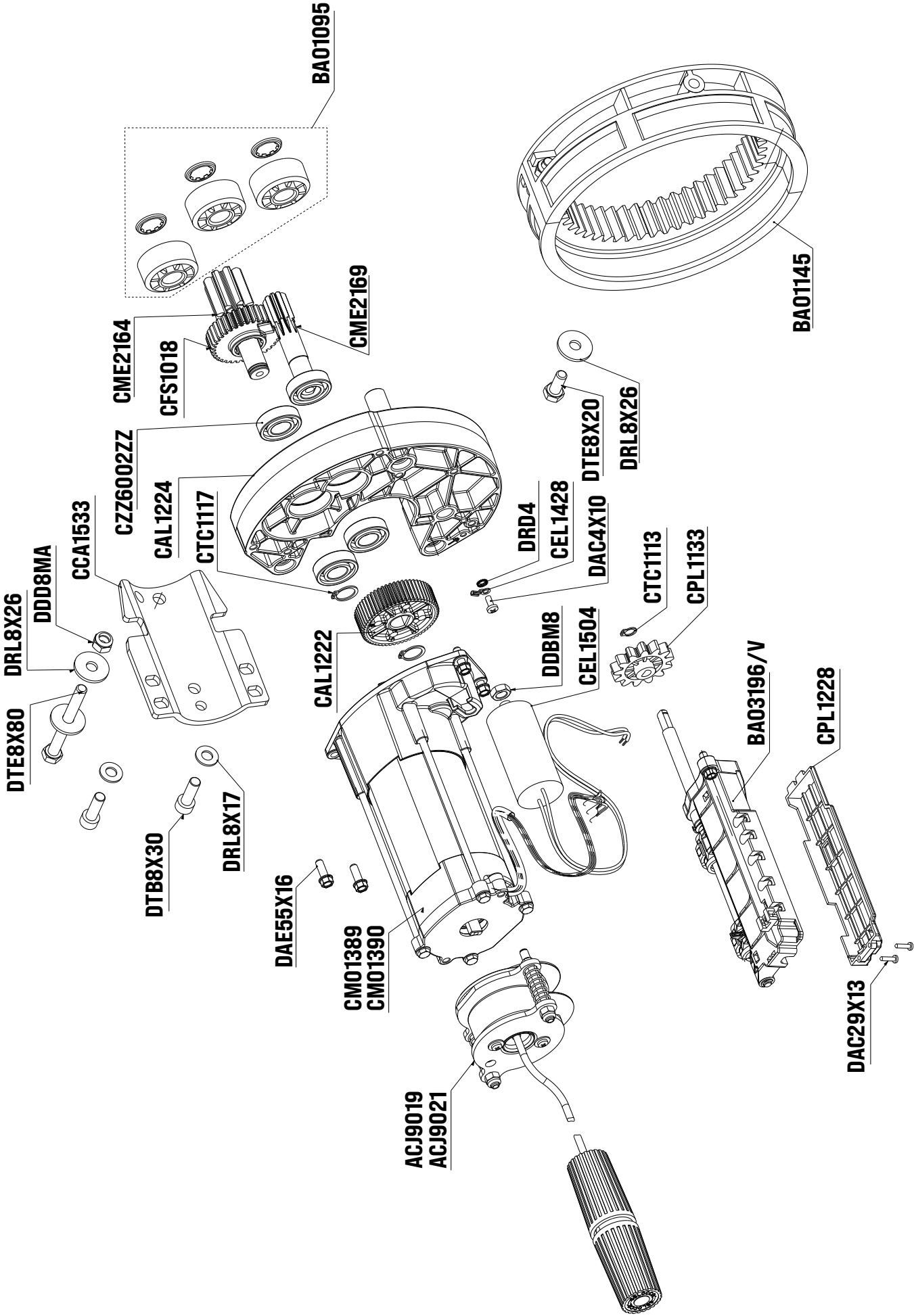
BA04040
CEL1577
CODES TO UPDATE THE LIMIT
SWITCHES SYSTEM



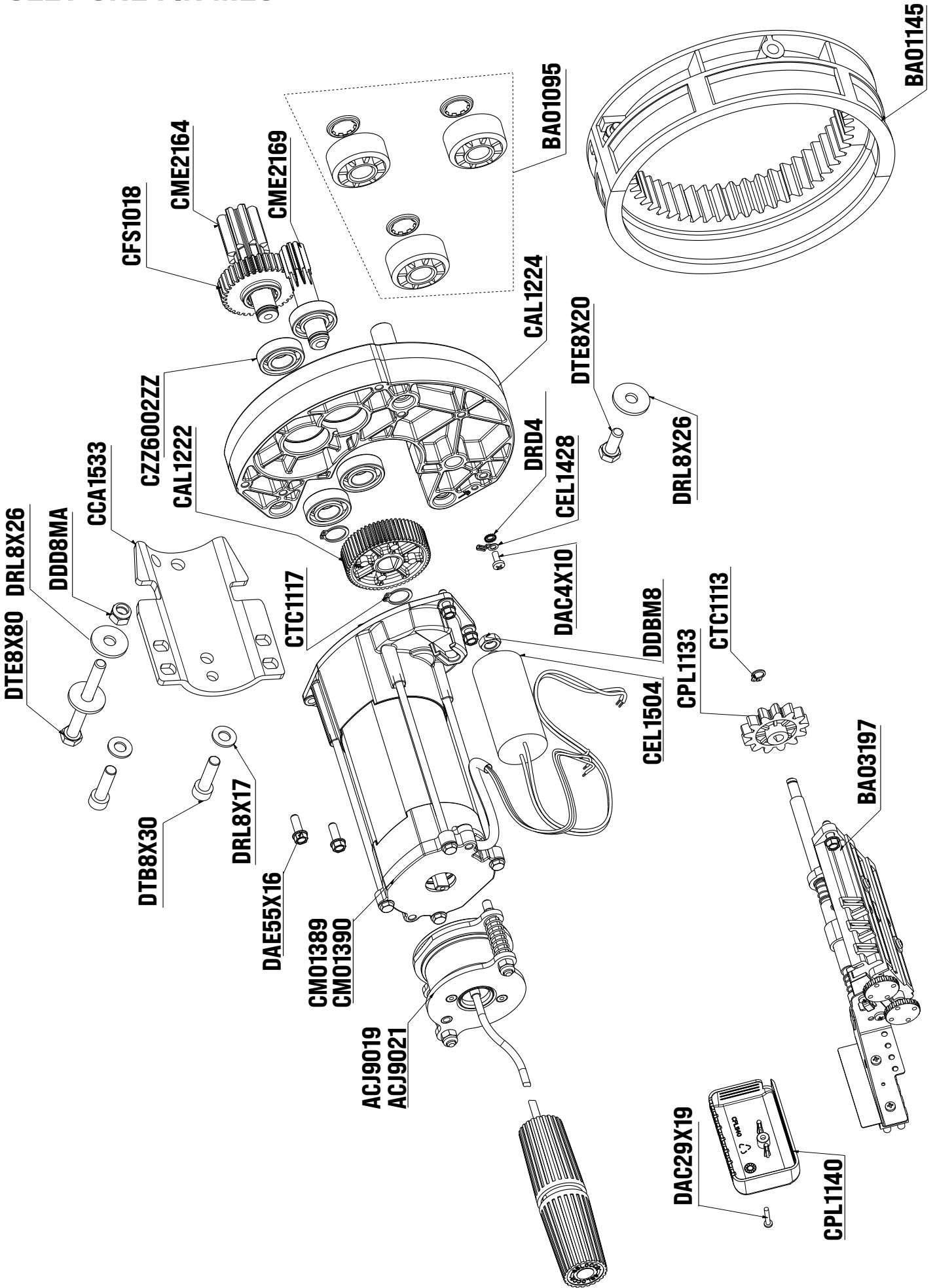




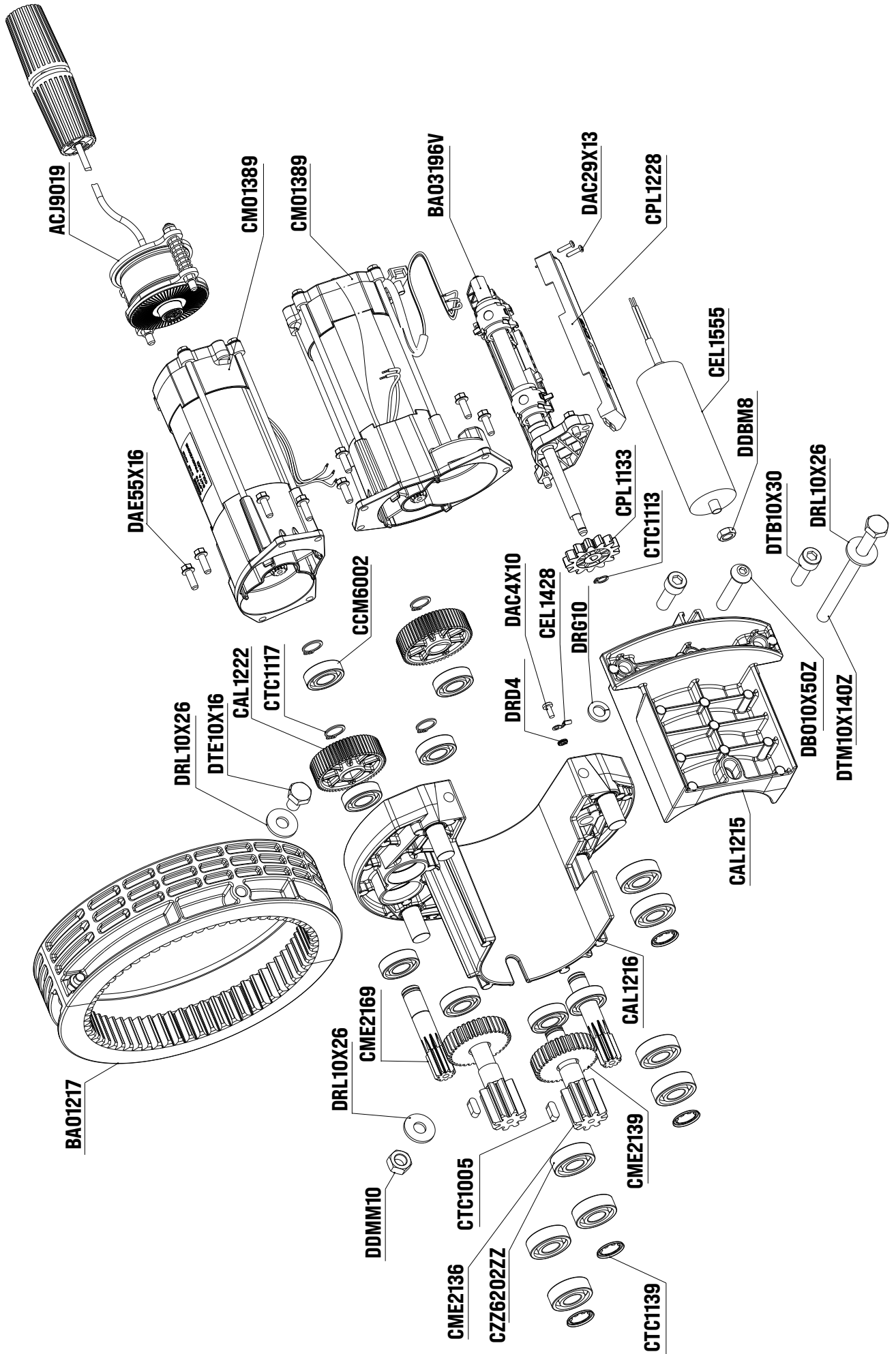
JOLLY ONE FIN AUT



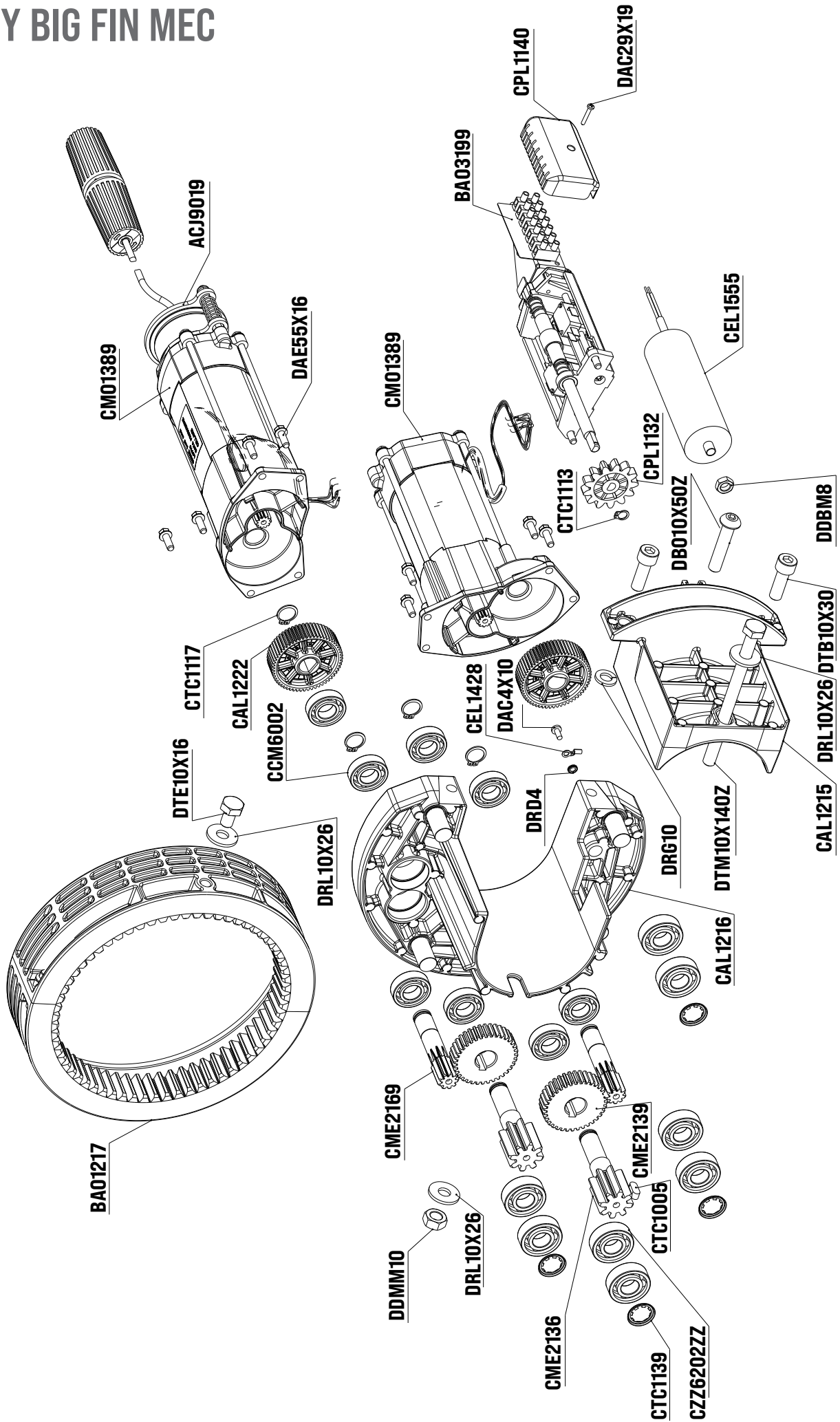
JOLLY ONE FIN MEC



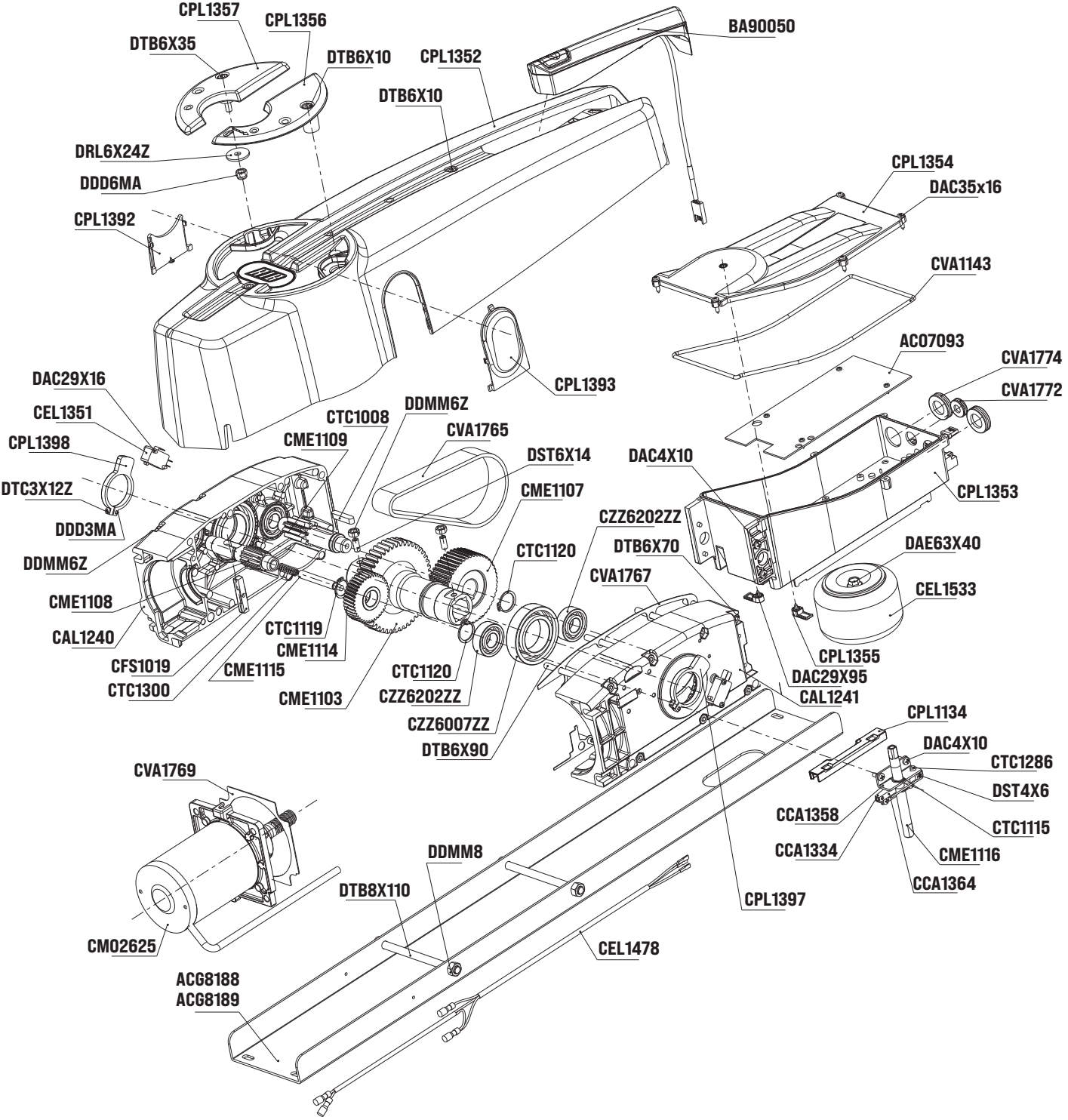
JOLLY BIG FIN AUT



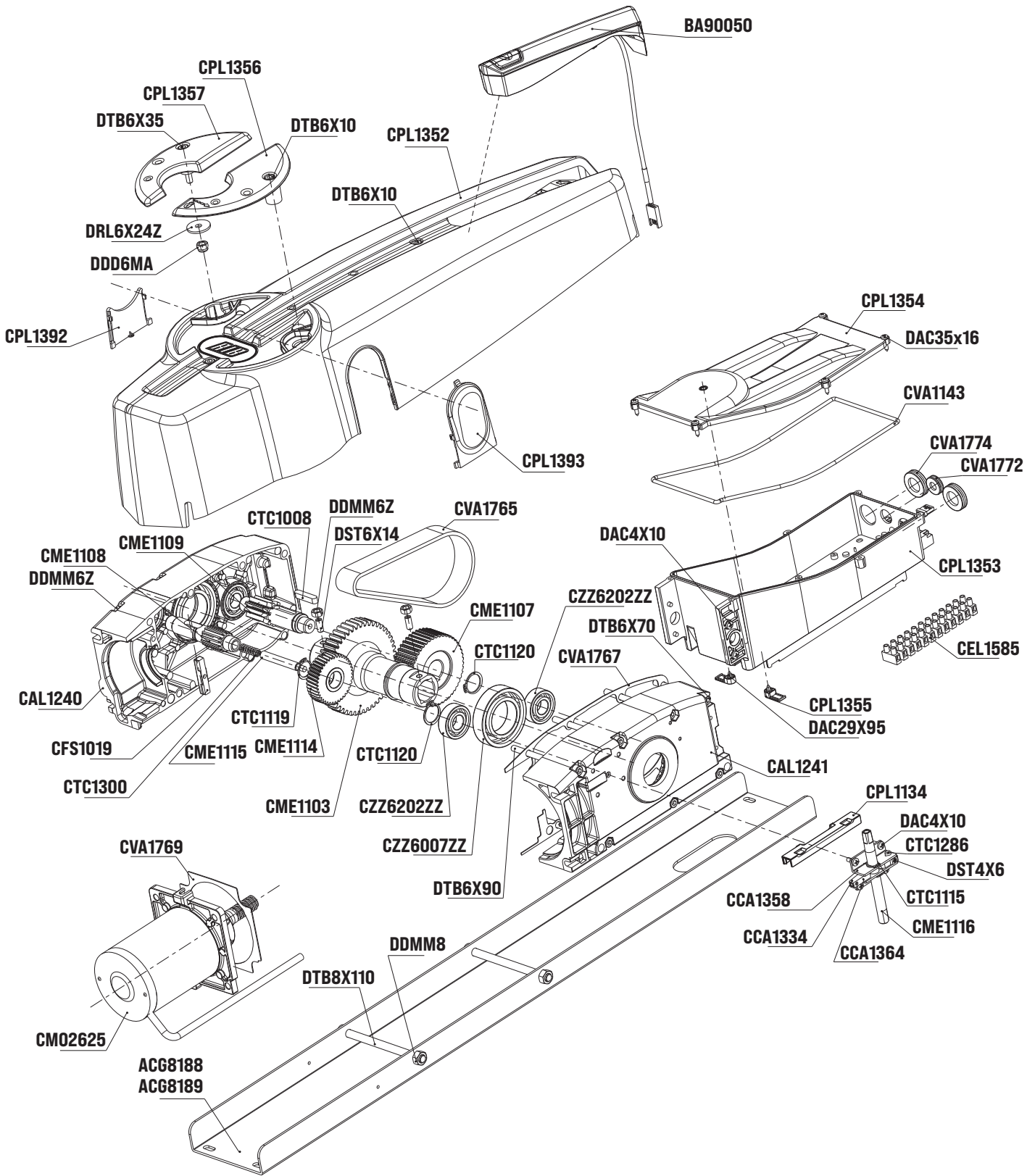
JOLLY BIG FIN MEC



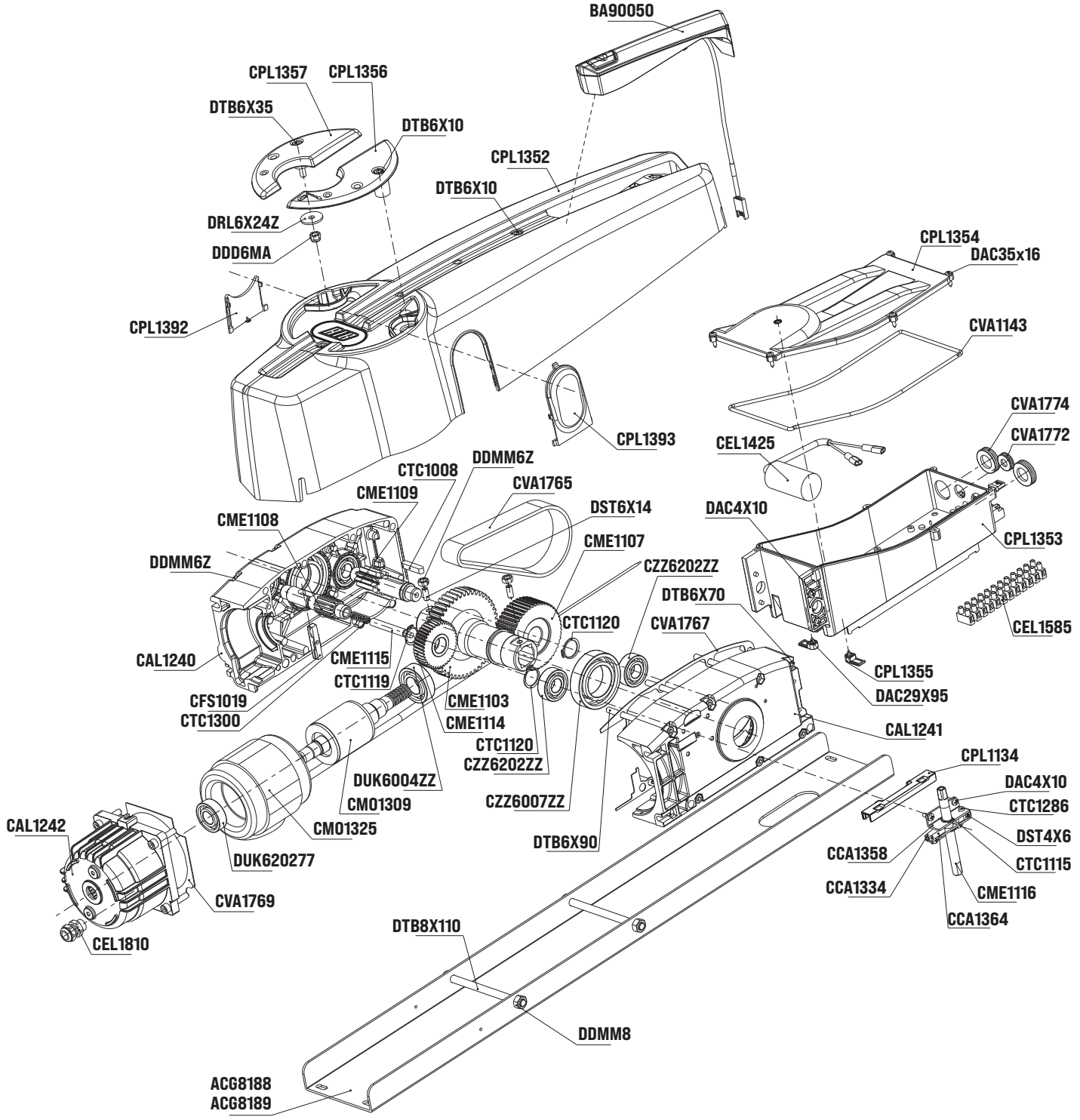
BOSS 24V MASTER

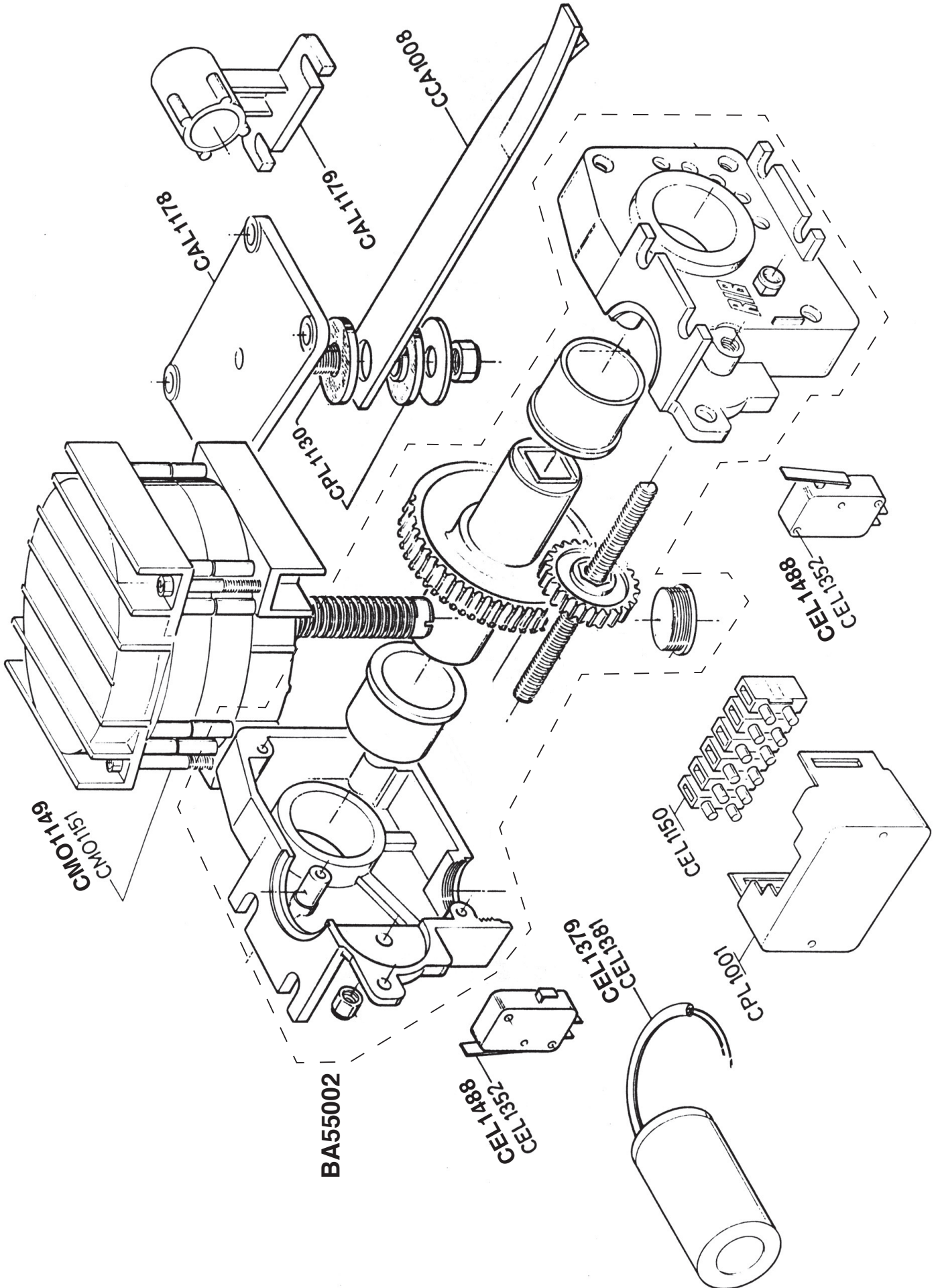


BOSS 24V SLAVE



BOSS 230V SLAVE

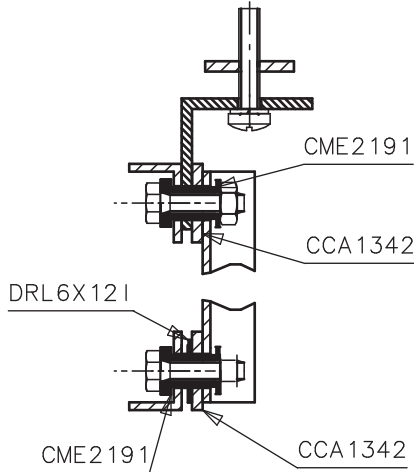
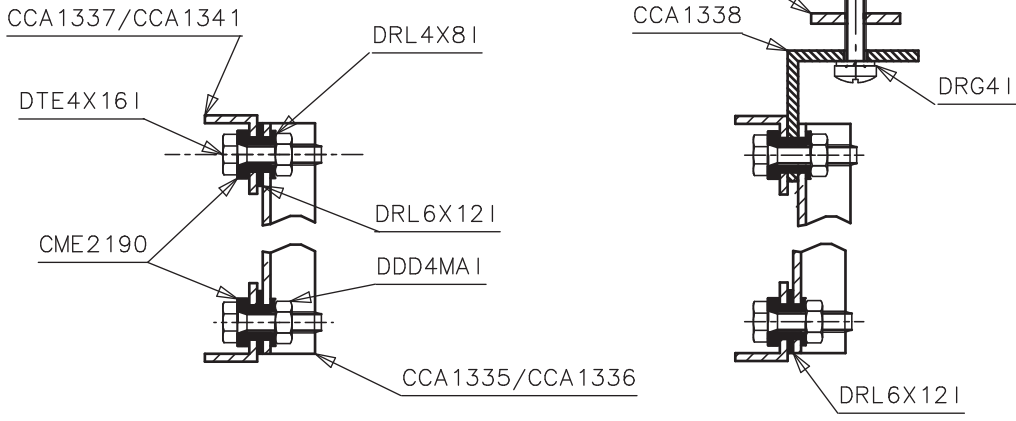
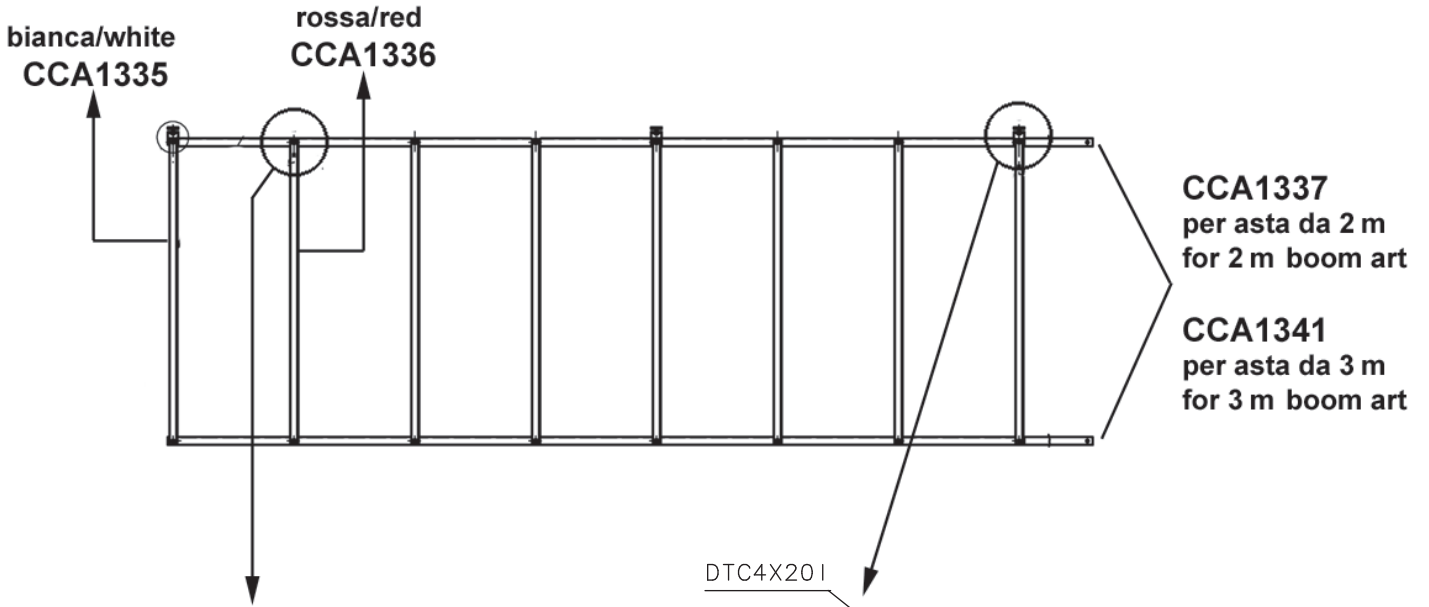




RASTRELLIERE HANGING RACKS

Rastrelliera per l'operatore RAPID - INDUSTRIAL - NORMAL
Hanging rack for RAPID - INDUSTRIAL - NORMAL operators

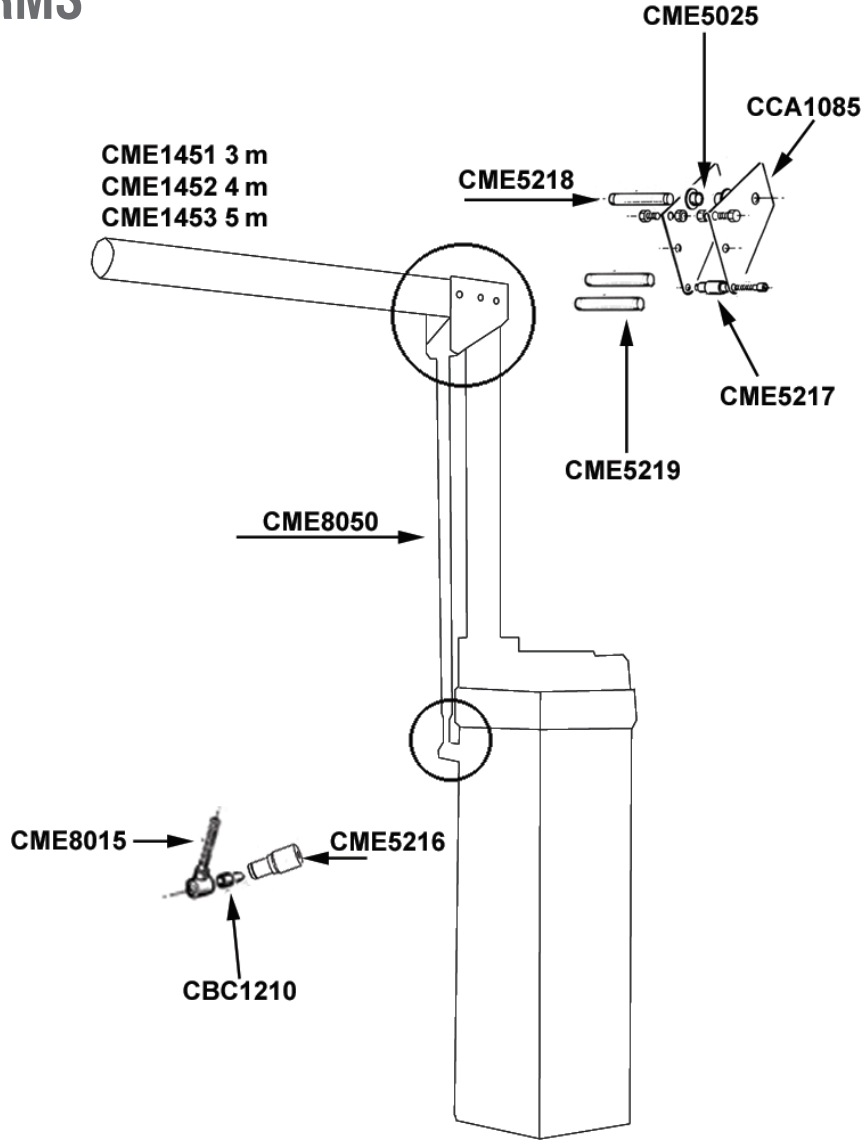
2 m ACG8290
3 m ACG8291



ASTE SNODATE ARTICULATED ARMS

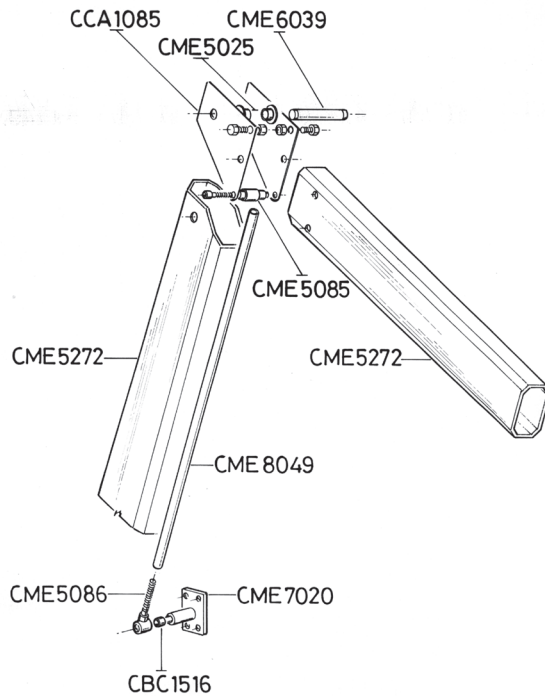
Asta snodata per l'operatore RAPID S
Articulated Arm for RAPID S operator

- 3 m ACG8223
- 4 m ACG8224
- 5 m ACG8225



Asta ottagonale snodata per l'operatore NORMAL
Octagonal articulated boom arm for NORMAL operator

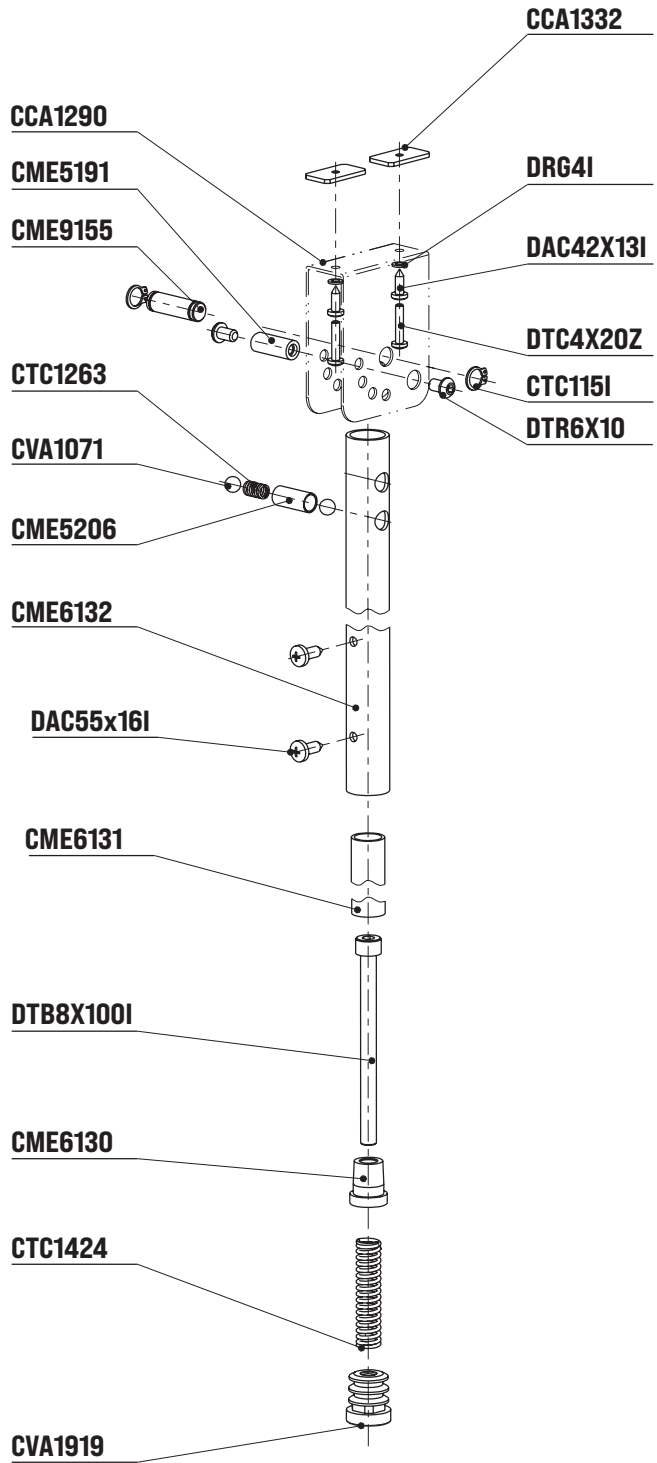
ACG8210



PALETTO PENDULO TELESCOPICO

TELESCOPIC HANGING SUPPORT

AC68285

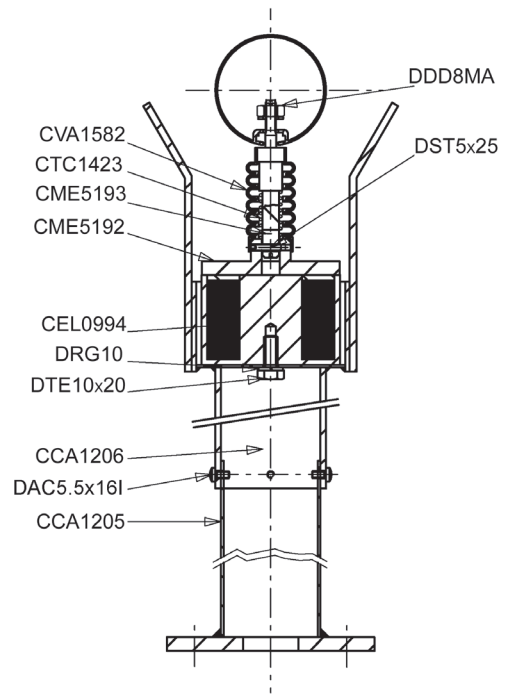


COLONNINE CON MAGNETE

COLUMNS WITH ELECTROMAGNET

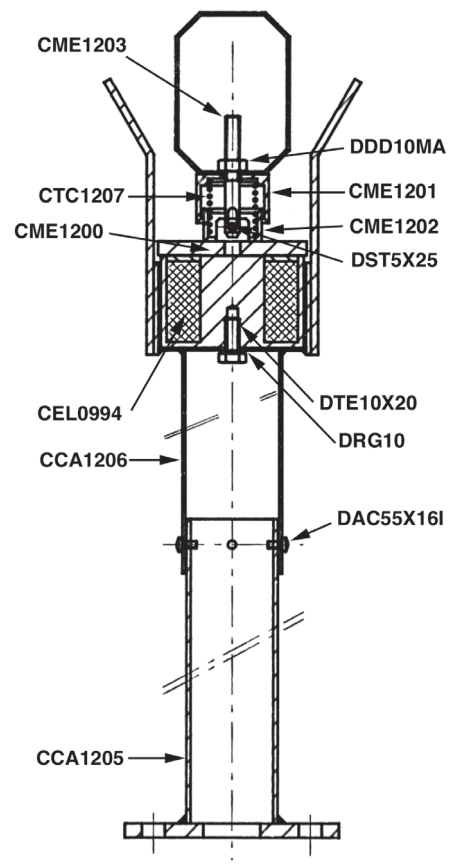
Colonnina con magnete per gli operatori RAPID S e RAPID N
 Column with electromagnet for RAPID S and RAPID N operators

ACG8073

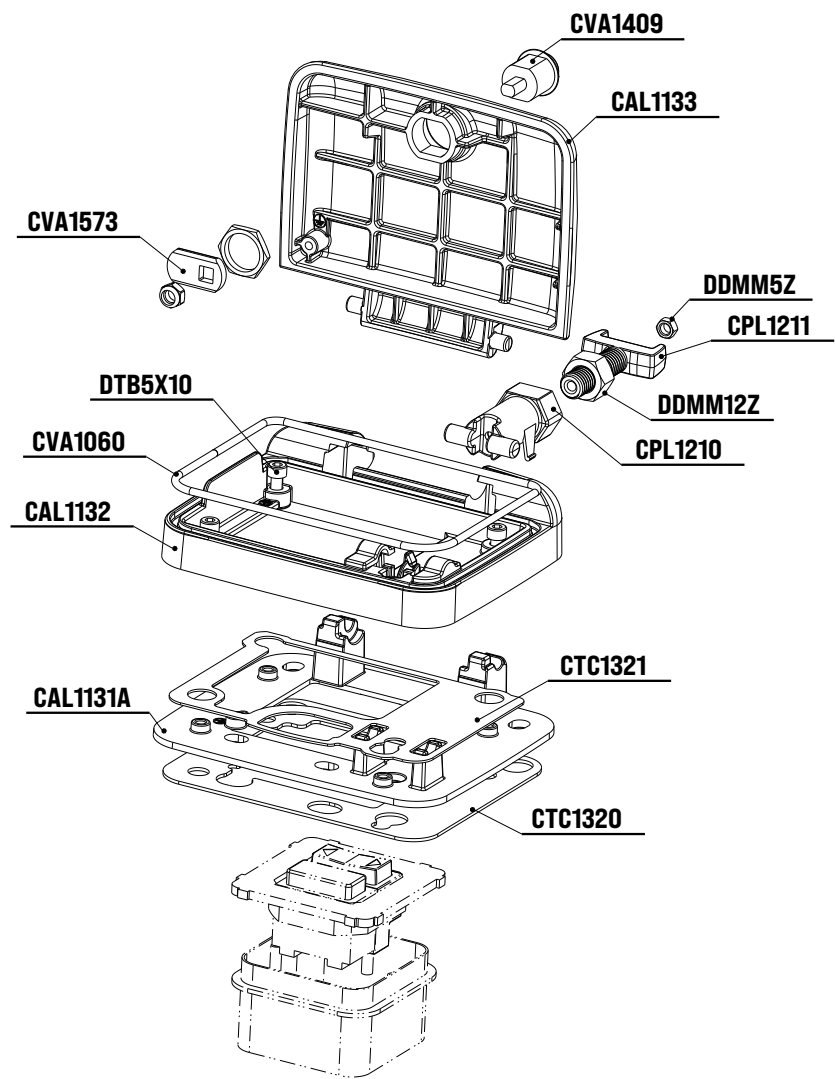


Colonnina con magnete per gli operatori NORMAL e INDUSTRIAL
 Column with electromagnet for NORMAL and INDUSTRIAL operators

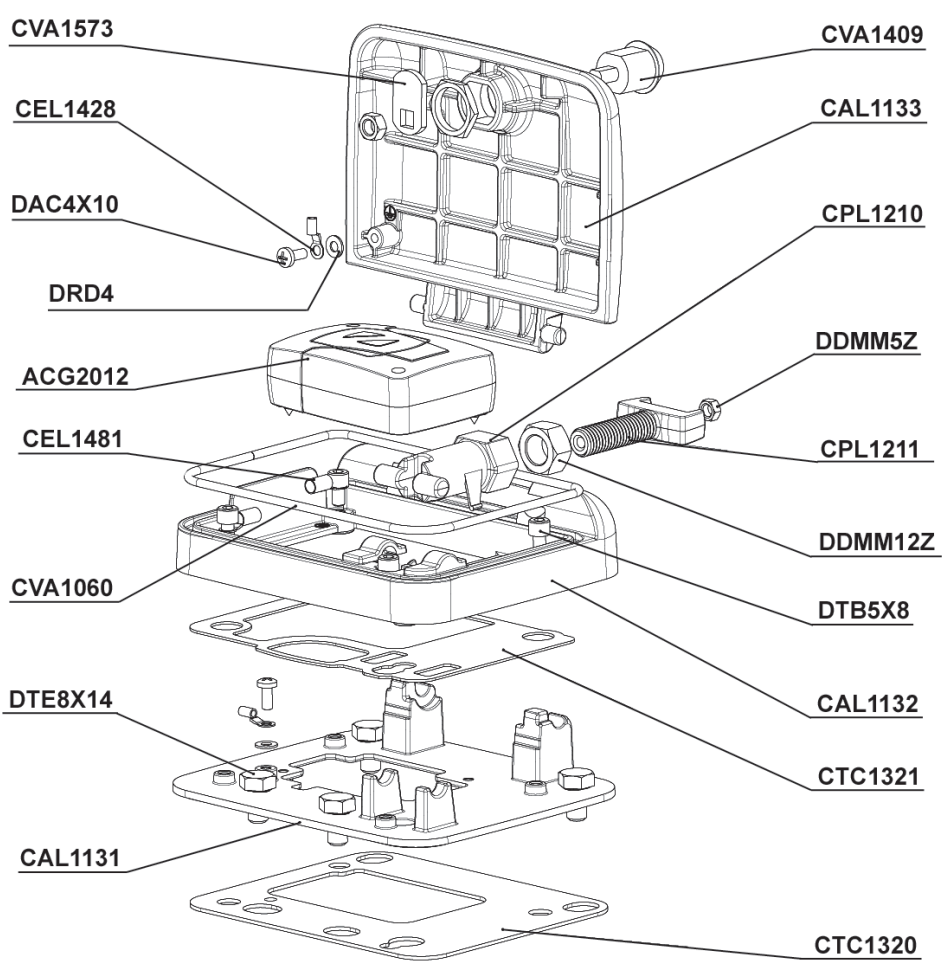
ACG8070



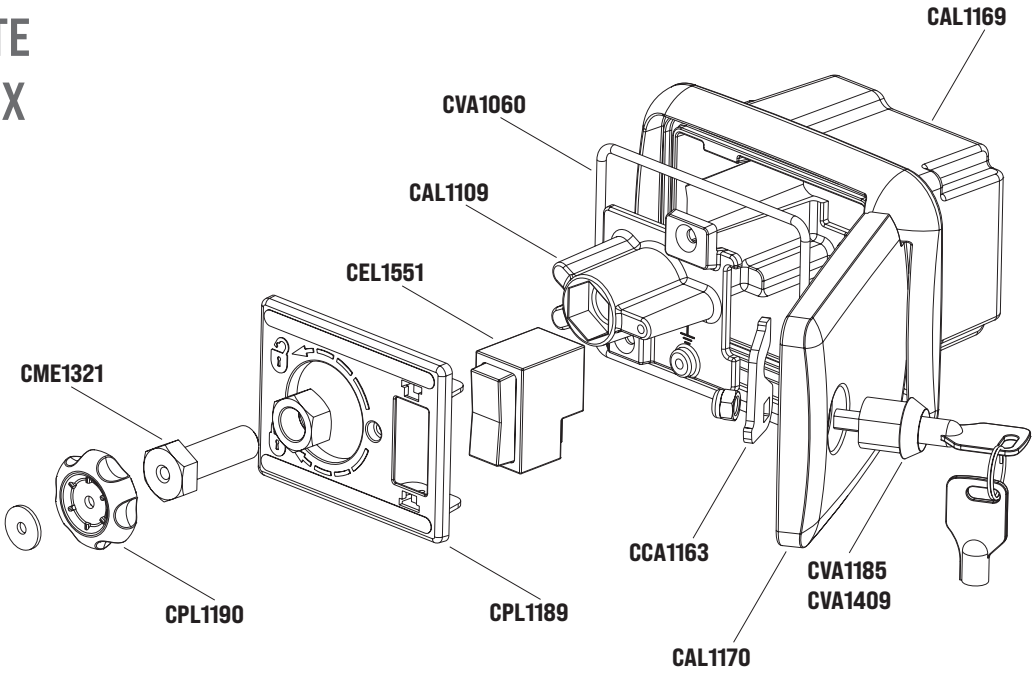
VECOR FLAT CASSAFORTE STRONG BOX



FLAT CASSAFORTE STRONG BOX

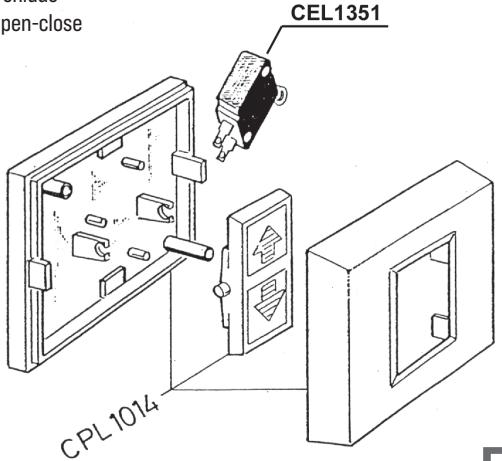


STONE CASSAFORTE STRONG BOX

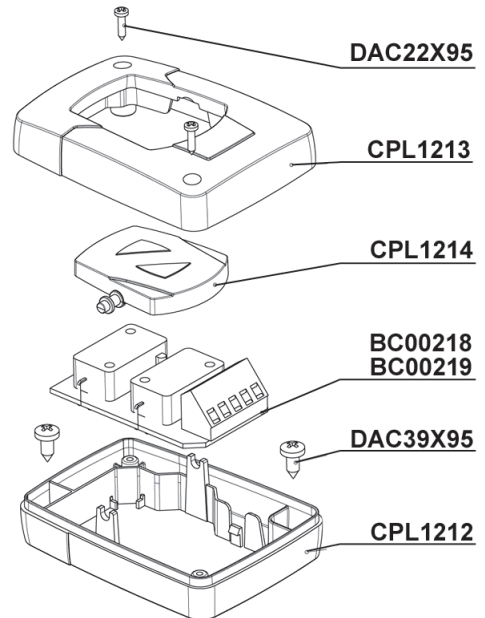


PULSANTIERA PUSH-BUTTON

da parete apre-chiude
wall mounted open-close
ACG2010

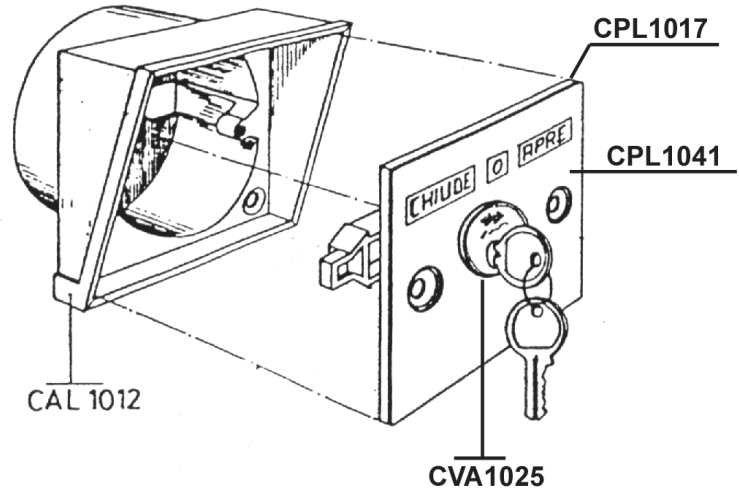


FLAT PULSANTIERA PUSH-BUTTON

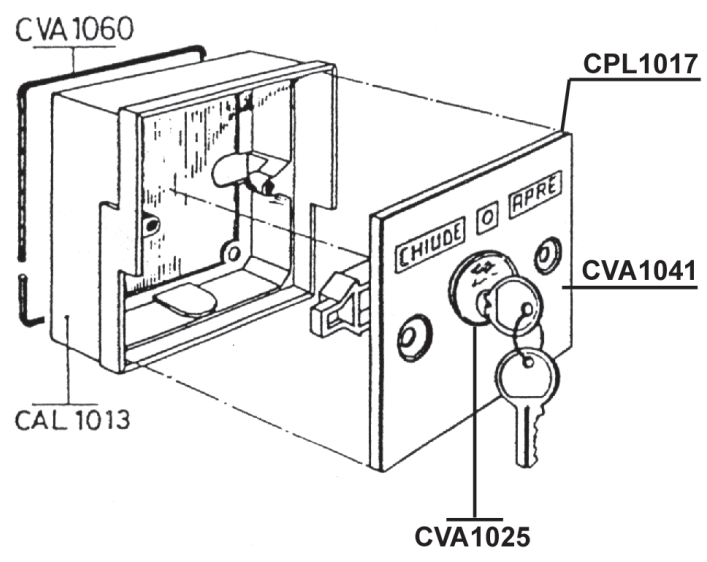


SELETTORI A CHIAVE KEY SELECTORS

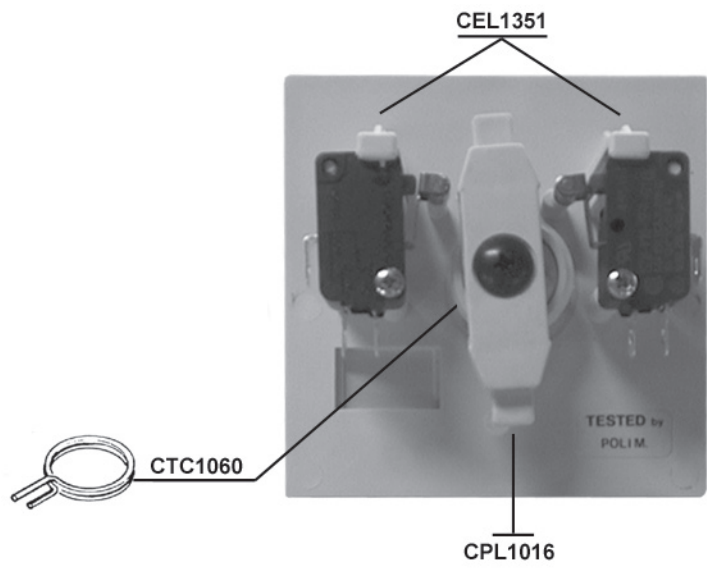
da incasso apre-chiude
embedded open-close
ACG1010



da parete apre-chiude
wall mounted open-close
ACG1030



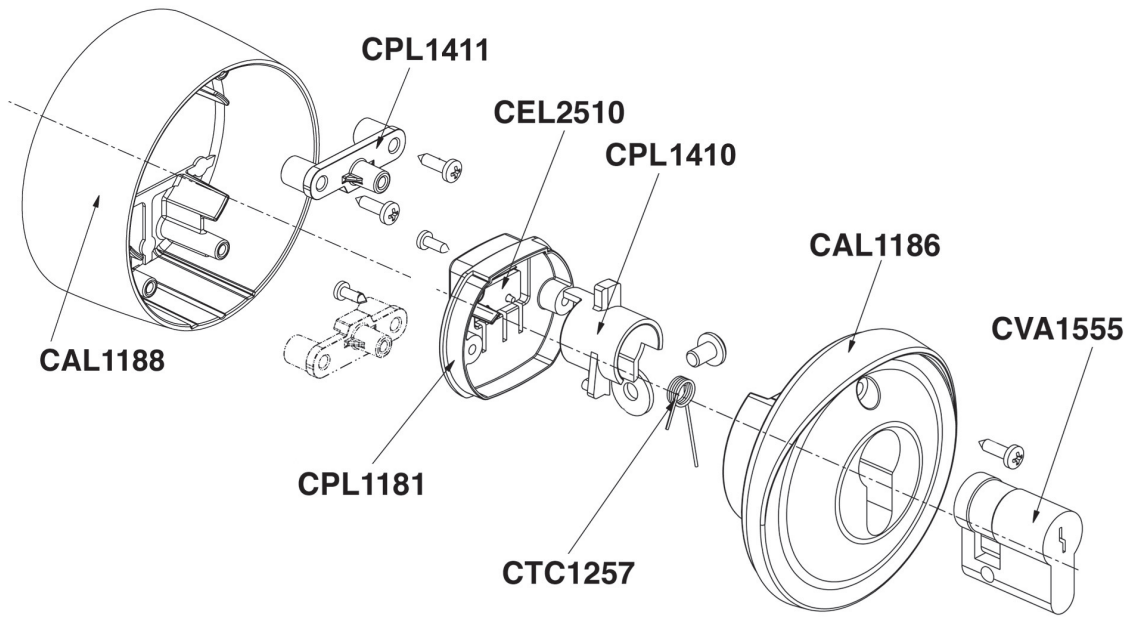
retro selettore
selector rear side



BLOCK

SELETTORI A CHIAVE

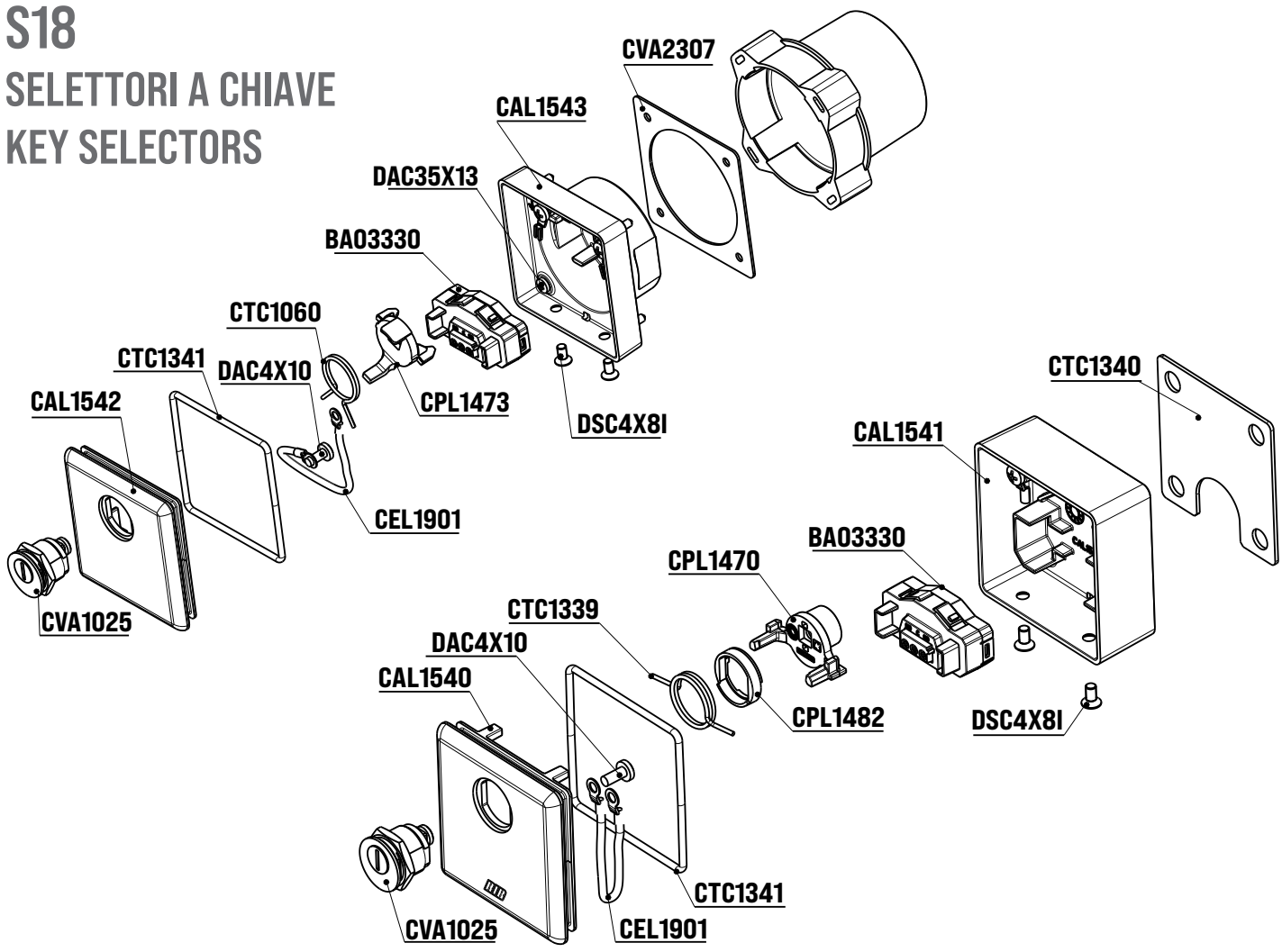
KEY SELECTORS



S18

SELETTORI A CHIAVE

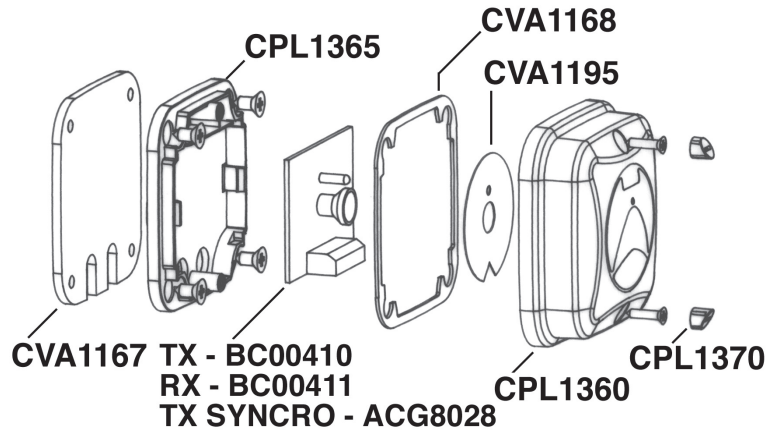
KEY SELECTORS



FIT SYNCRO

FOTOCELLULE

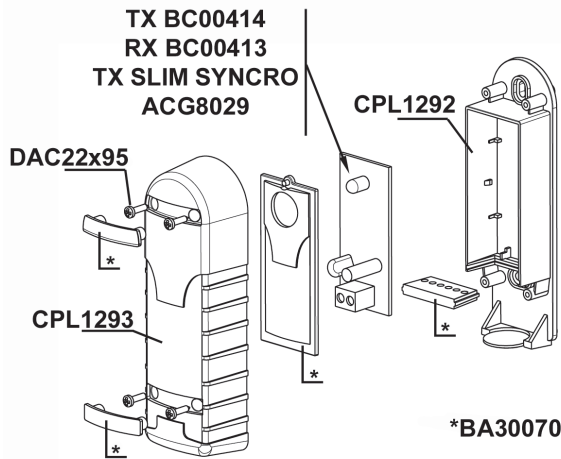
PHOTOCELLS



FIT SLIM

FOTOCELLULE

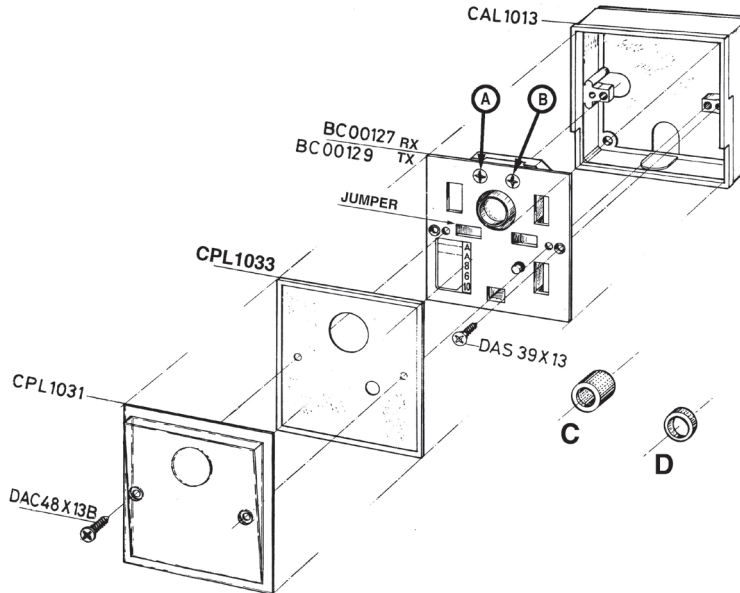
PHOTOCELLS



F97P

FOTOCELLULE

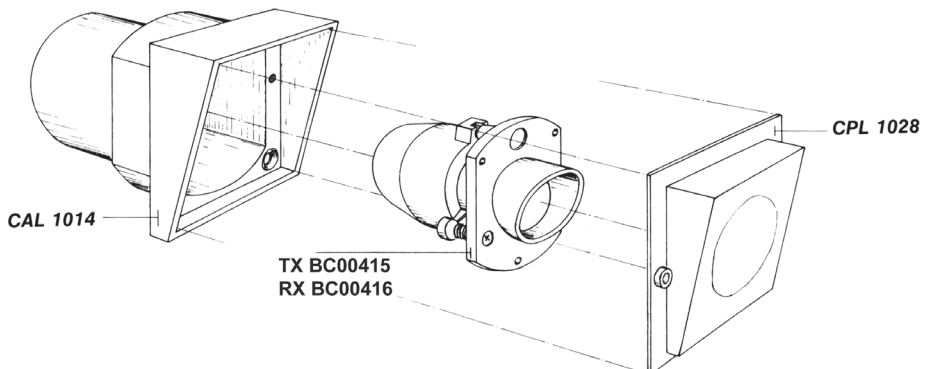
PHOTOCELLS



F97I

FOTOCELLULE

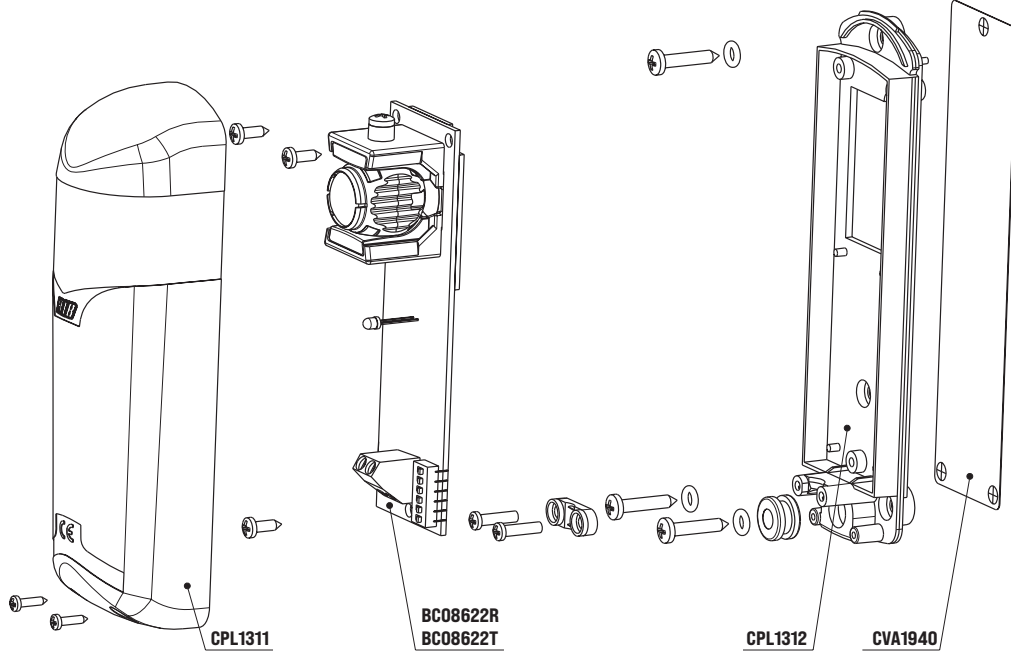
PHOTOCELLS



NOVA

FOTOCELLULE

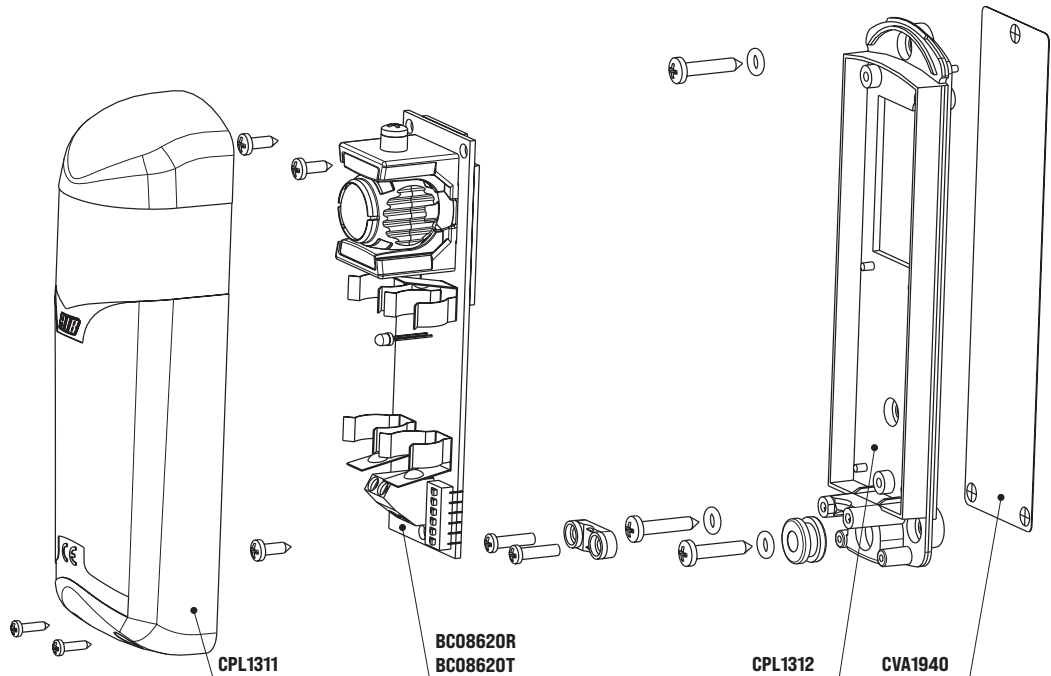
PHOTOCELLS



NOVA WIRELESS

FOTOCELLULE

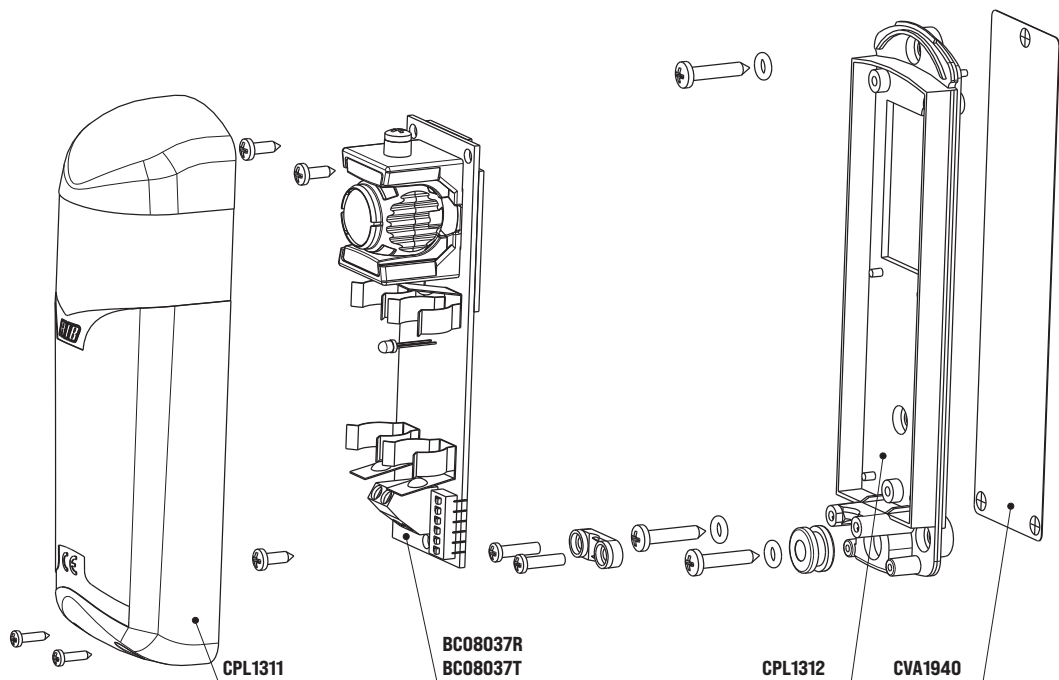
PHOTOCELLS



NOVA Wi-Fi

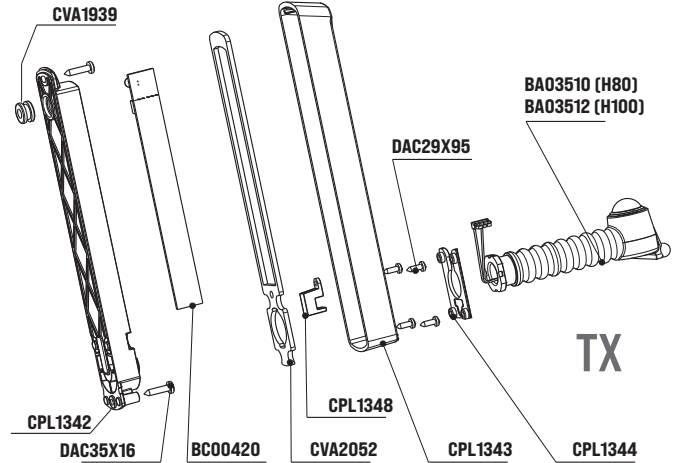
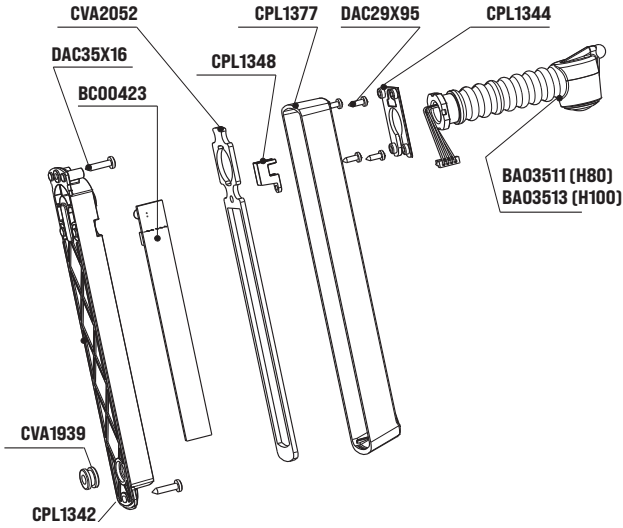
FOTOCELLULE

PHOTOCELLS



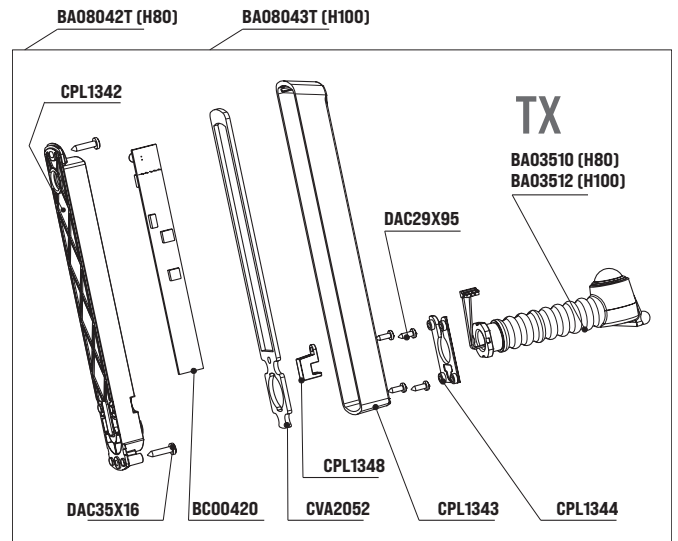
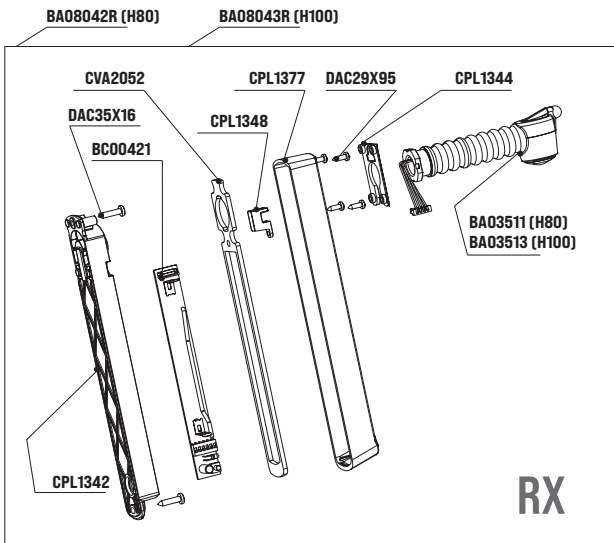
VERTIGO

FOTOCELLULE - PHOTOCELLS

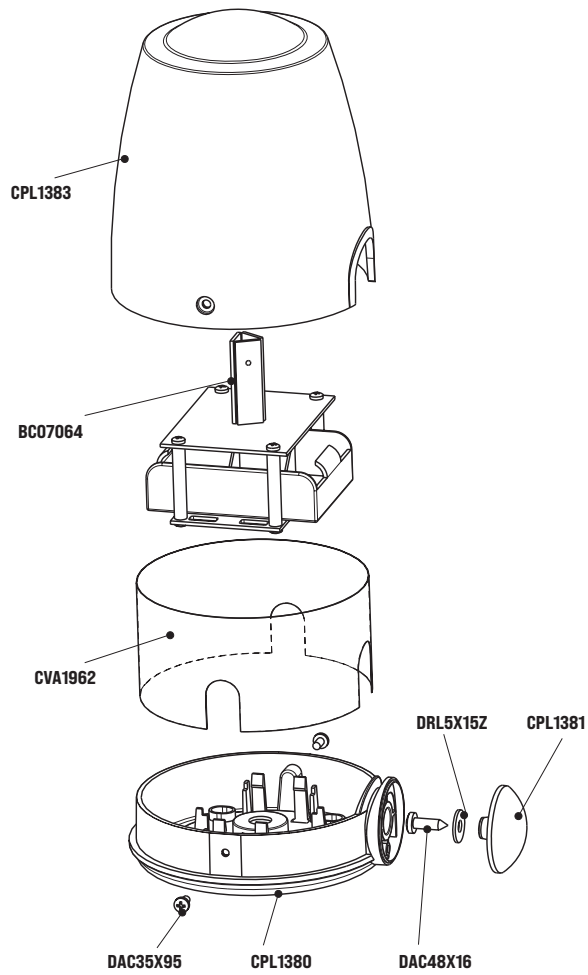


VERTIGO Wi-Fi

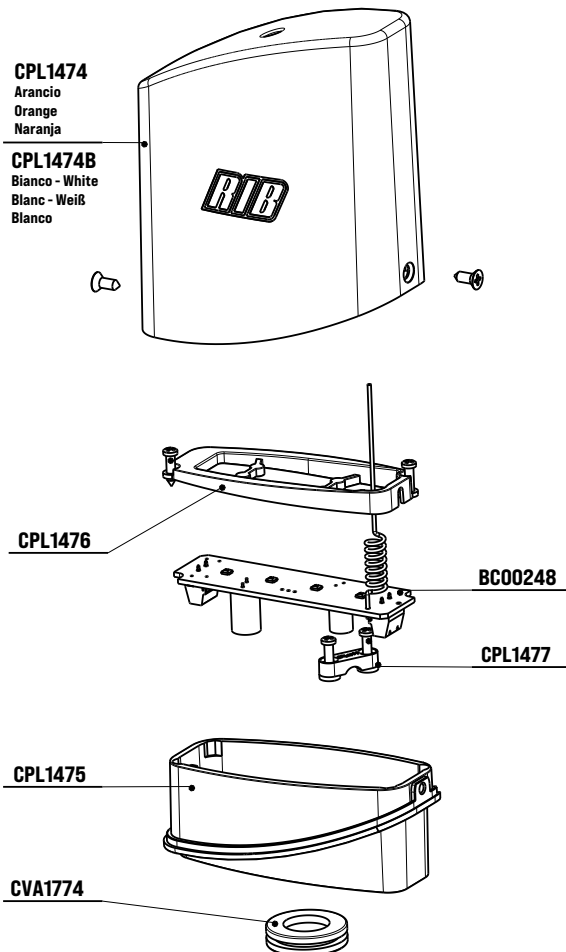
FOTOCELLULE - PHOTOCELLS



SPARK Wi-Fi LAMPEGGIATORE BLINKER



SAIL LAMPEGGIATORE BLINKER

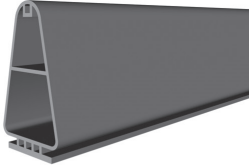
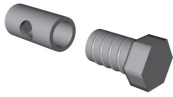
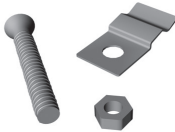
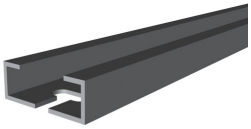
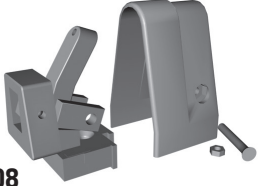


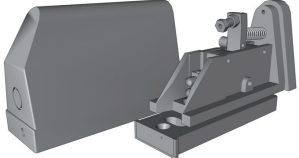



TOUCH - TOUCH Wi-Fi

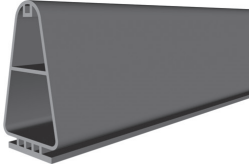
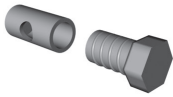
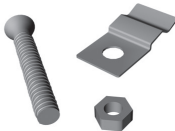
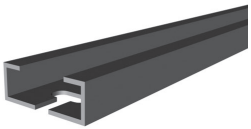
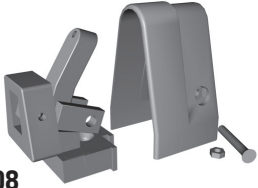




COSTA MECCANICA

MECHANICAL STRIP

TOUCH AC63015

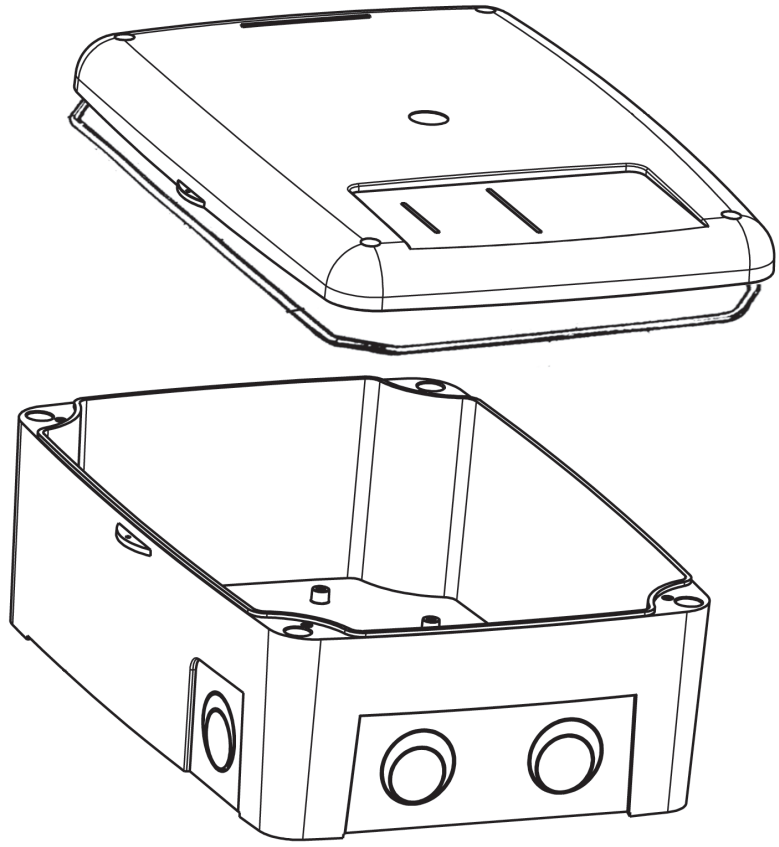
| | | |
|---|---|---|
|  <p>TOU0001</p> |  <p>TOU0007</p> |  <p>TOU0011</p> |
|  <p>TOU0002</p> |  <p>TOU0008</p> | |
|  <p>TOU0003</p> |  <p>TOU0009</p> | |
|  <p>TOU0004</p> |  <p>TOU0010</p> | |

TOUCH Wi-Fi AC63016

| | | |
|---|---|---|
|  <p>TOU0001</p> |  <p>TOU0007</p> |  <p>TOU0011</p> |
|  <p>TOU0002</p> |  <p>TOU0008</p> | |
|  <p>TOU0003</p> |  <p>TOU0009</p> | |
|  <p>TOU0020</p> |  <p>TOU0010</p> | |

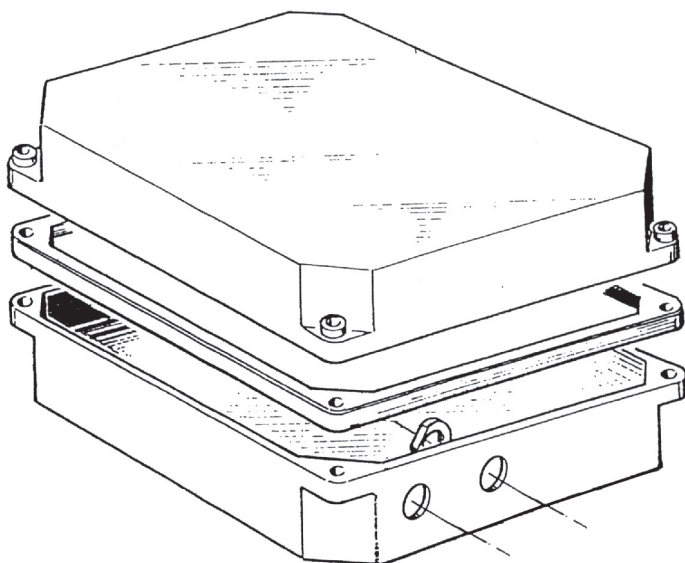
CONTENITORE BIG BIG BOX

BA03250



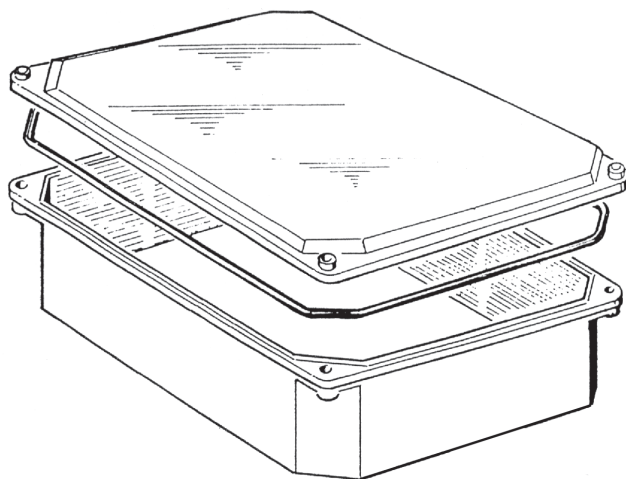
CONTENITORE MEDIUM MEDIUM BOX

BA01510



CONTENITORE COMPACT COMPACT BOX

BA05600





I prodotti contenuti in questo Catalogo permettono l'installazione di impianti perfettamente conformi alle Norme Europee in vigore



<https://www.linkedin.com/company/rib-srl>

COMPANY WITH
QUALITY SYSTEM
CERTIFIED BY DNV GL
= ISO 9001 =

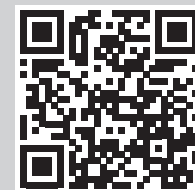


WhatsApp

SERVIZIO DI
ASSISTENZA TECNICA

3356247878

Invia le tue immagini e
chiedi direttamente ai
nostri tecnici



<https://www.facebook.com/RIBsrl>



25014 CASTENEDOLO (BS) - ITALY
Via Matteotti, 162
phone 2135811 030 39+
fax 21358278 030 39+
www.ribind.it - ribind@ribind.it



<https://www.youtube.com/user/RIBSRL>